



THOMSON

Manuel d'utilisation

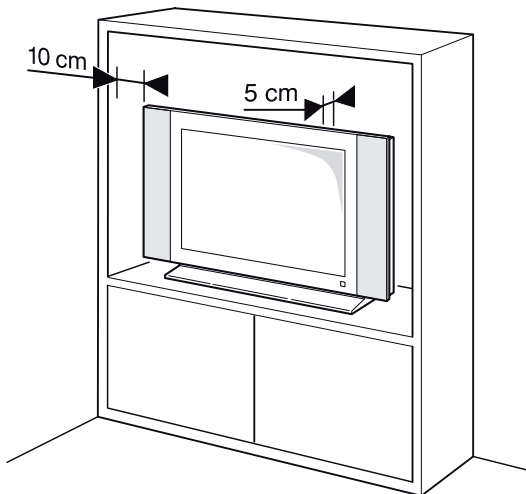
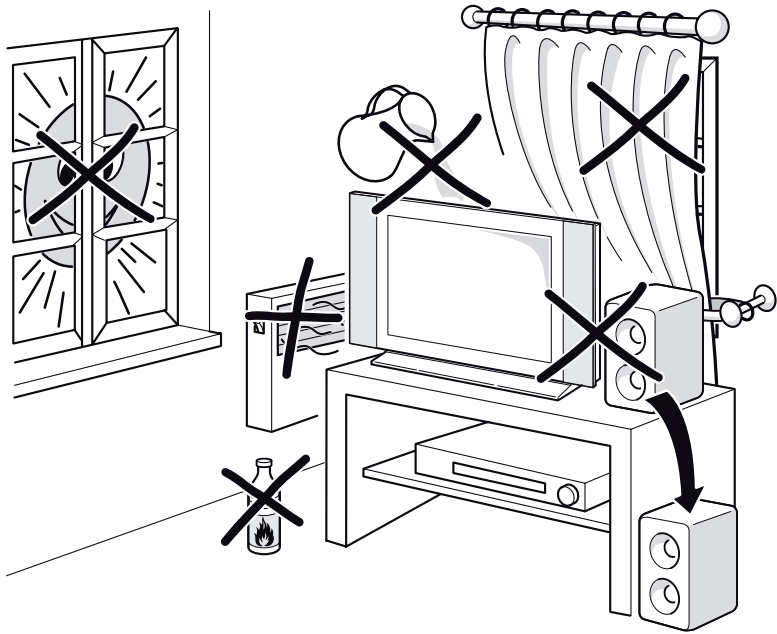
Bedienungsanleitung

Manuale di utilizzazione

User manual

Manual de utilización

Manual de utilização



On screen display

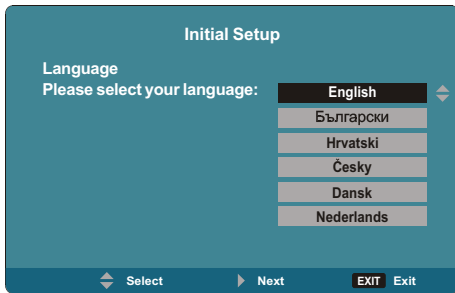


Figure 1

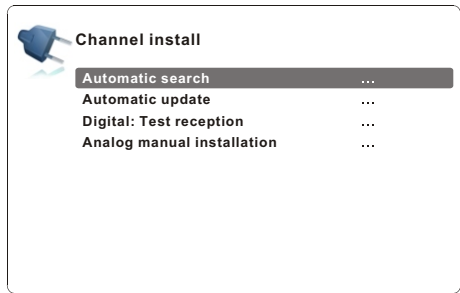


Figure 2

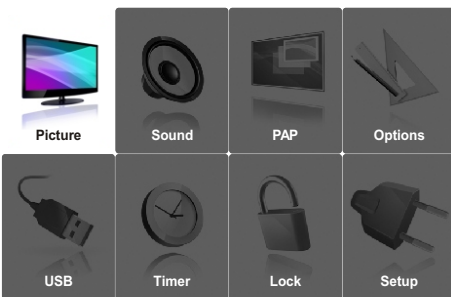


Figure 3

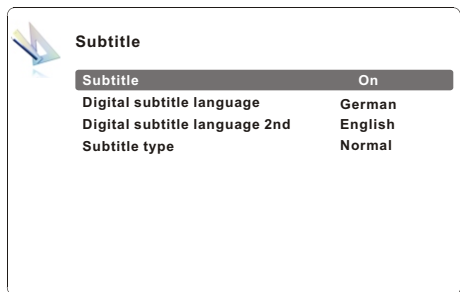


Figure 4

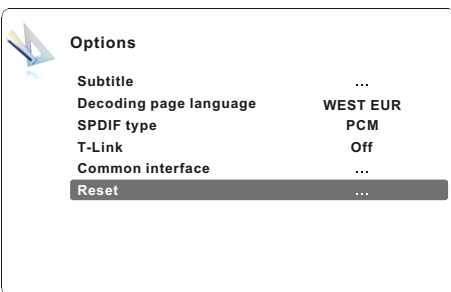


Figure 5

Important information

Safety

Ensure that your domestic mains supply voltage matches the voltage indicated on the identification sticker located at the back of your set. Where the mains plug or an appliance coupler is used as disconnect device, the disconnect device shall remain readily operable.

On certain models, the light indicator is located at the side of the TV set. The absence of a light indication at the front does not mean that the TV set is fully disconnected from the mains. To disconnect the TV set completely, the mains plug must be pulled out.

The TV set's components are sensitive to heat. The **maximum ambient temperature** should not exceed **35° Celsius**. Do not cover the vents at the back or sides of the TV set. Leave sufficient space around it to allow adequate ventilation. Install the appliance away from any source of heat (fireplace, ...) or appliances creating strong magnetic or electric fields.

Moisture in rooms where the set is installed should not exceed **85% humidity**. **Apparatus shall not be exposed to dripping or splashing and no objects filled with liquids**, such as vases, shall be placed on the apparatus. Moving the set from a cold place to a warm one can cause condensation on the screen (and on some components inside the TV set). Let the condensation evaporate before switching the TV set on again.

The ϕ or **POWER/** ϕ button on the TV set can be used to switch it on and put it into standby mode. If you are **not going to be watching the TV for a lengthy period of time**, switch it off completely by removing the plug from the mains power socket.

During **thunderstorms**, we recommend that you disconnect the TV set from the mains and aerial so that it is not affected by electrical or electromagnetic surges that could damage it. For this reason, keep the **mains and aerial sockets** accessible so they can be **disconnected**, if necessary.

Unplug the TV set immediately if you notice it giving off a **smell of burning** or **smoke**. You must never, under any circumstances, open the TV set yourself, as you run the risk of an **electric shock** in doing so.

LCD panel

The LCD panel used in this product is made of glass. Therefore, it can break when the product is dropped or impacted upon by other objects.

The LCD panel is a very high technology product, giving you finely detailed pictures. Occasionally, a few non-active pixels may appear on the screen as

a fixed point of blue, green or red. This does not affect the performance of your product.

Care

Use a glass-cleaning product to clean the screen and a soft cloth and mild detergent to clean the rest of the set.

Important: Using strong detergents, alcohol-based and abrasive products may damage the screen.

Dust the vents at the back and sides regularly. Using solvents, abrasive or alcohol-based products could damage the TV set. If an object or liquid enters inside the appliance, unplug it immediately and have it checked by an authorised engineer. Never open the appliance yourself since this may put you at risk or damage the appliance.

Hanging the TV set on the wall

Warning: This operation requires two people.

To ensure a safe installation, observe the following safety notes:

- Check that the wall can support the weight of the TV set and wall mount assembly.
- Follow the mounting instructions provided with the wall mount.
- The TV set must be installed on a vertical wall.
- Make sure to use only screws suitable for the material of the wall.
- Make sure that the TV set cables are placed so that there is not danger of tripping over them.

All other safety instructions about our TV sets are also applicable here.

Handling the TV set on the table

Before setting up your television set, make sure that the surface you want to put the set on can support its weight.

Don't place the set on an unstable surface (e.g. moving shelf, very edge of a unit) and make sure that the front of the television set does not overhang the surface it is sitting on.



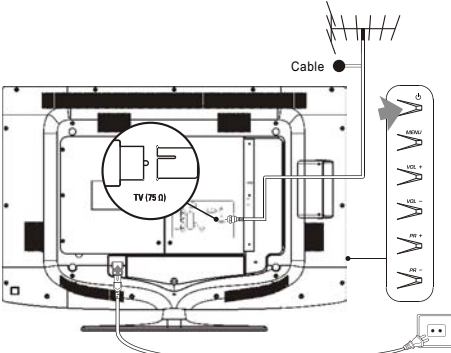
This product is designed and manufactured with high quality materials and components which can be recycled and reused.

This symbol means that electrical and electronic equipment, at their end-of-life, should be disposed of separately from your household waste.

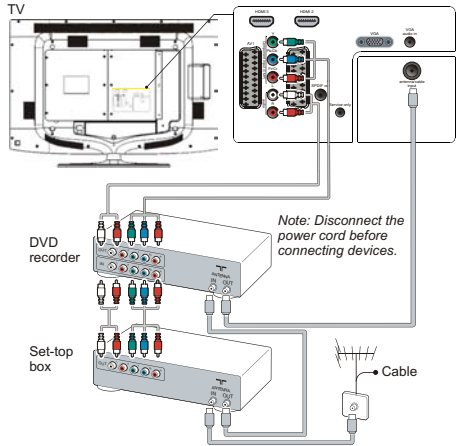
Please, dispose of this equipment at your local community waste collection/recycling centre. In the European Union there are separate collection systems for used electrical and electronic product. Please, help us to conserve the environment we live in!

Connect the power and antenna

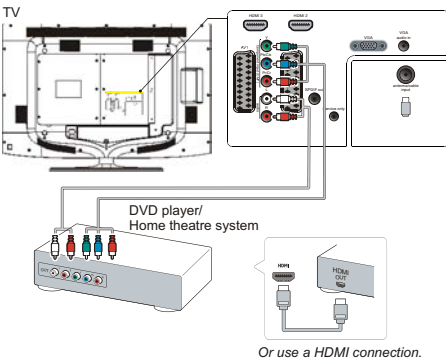
To switch on TV after connecting power cord, press **⏻** or **POWER/⏻**.
 Note: Position of power socket varies according to TV model.



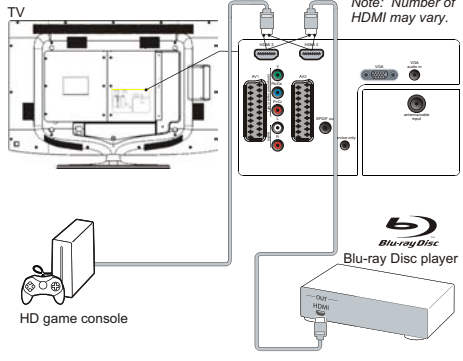
DVD recorder, cable receiver



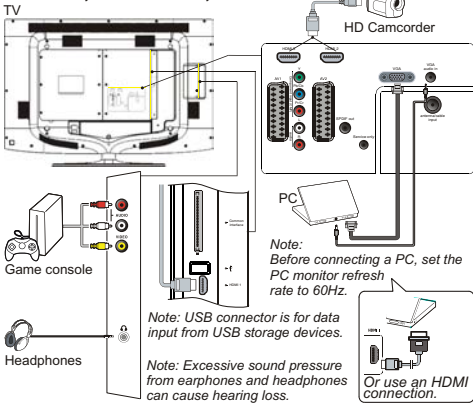
DVD player, home theatre system



Blu-ray Disc player, HD game console



HD camcorder, headphones, game console, camcorder, PC



Notes:

- The figures are for representation only.
- Not all connections available on all models.
- The location of the power socket on the TV may vary according to TV model.
- The positions and names of the function buttons and connectors on the TV may vary according to TV model.

Remote control functions

Most of your television's functions are available via the menus that appear on the screen. The remote control supplied with your set can be used to navigate through the menus and to configure all the general settings.

⏻ Standby / quit standby.

▲▼ (UP and DOWN) To navigate in the main menu. To select menu options.

◀▶ (LEFT and RIGHT) To navigate in the main menu. To set functions and change values. To select the picture format. **RIGHT** can also be used to open the corresponding submenu.

Note: You are recommended to use the full screen mode. Do not use the display mode with black bars on both sides of the picture (such as 4:3) for long time, otherwise the LCD screen may be damaged permanently.

Coloured buttons(yellow, blue): To select tasks or teletext pages.

⊙Lang / *Red To select a sound type available for selected analogue TV programme. To select an audio language available for selected digital TV programme. * To select tasks or teletext pages.

TEXT (purple button) To toggle teletext on or off.

TEXT ??? To reveal or hide information if any in Teletext.

0-9 To select a channel, page or setting.

INFO To display programme information, if available.

FAV. To activate the **Favorite List** menu.

GUIDE To toggle the Electronic Programme Guide on or off.

TV To access TV mode.

DVD To access DVD mode.

Menu To access the main menu; to return to the previous menu.

◀ +/- **VOL+/-;** to control the volume.

PR+/- To change channels.

OK To open the corresponding submenu and activate a setting in menus. To freeze/unfreeze the picture in digital TV mode.

EXIT To exit the menu structure or Teletext.

RETURN To return to the previous channel; to return to the previous menu in USB function.

Mute To switch the sound off and back on again.

Subtitles / *Green To select a subtitle language available for selected digital TV programme. * To select tasks or teletext pages.

TEXT STOP To hold the displayed page in Teletext.

TEXT ZOOM To display the Teletext page in different mode.

Source To display the **Source** menu.

LIST To display channel list.

AV To switch between TV channel and other input sources.

PRESETS To preset picture settings.

Digital Media To toggle USB on or off.

T-LINK Not supported.

REV ⏮, **PLAY** ⏪, **FWD** ⏩, **REC** 📽, **STOP** ⏹, **PAUSE** ⏸ : For music/video playback for USB function.

Note: REC 📽 button is ignored.

Important:

Battery shall not be exposed to excessive heat such as sunshine, fire or the like. If the batteries in your remote control are run down you can use the buttons on your TV set. In TV mode, they have the same functions as the corresponding buttons on the remote control. In the menus they have the following functions:

PR+ or PR ▲ ▶

PR- or PR ▼ ◀

VOL+ or VOL ▶ ▲

VOL- or VOL ◀ ▼

MENU To access the main menu; to return to the previous menu.

Switching on/off and standby mode

Switch on/off your TV

When powered on, the TV will be turned on directly. To switch it off, unplug the mains socket from the mains outlet.

Switch to standby

Press the ⏻ or **POWER**/⏻ button on the set or the ⏻ button on the remote control. The TV set

remains powered up, but with low energy consumption.

Switch on from standby

Press the ⏻ or **POWER**/⏻ button on the set or the ⏻ button on the remote control to switch the television on at the last channel in the last mode, i.e. analog or digital, or AV programme you were watching.

Initial setup

Initial setup involves selecting all the settings required to be able to search for and store all the analog and digital channels you can receive.

Make sure that the television is switched on and follow all the steps in turn specified hereafter.

Note: LCD channels search retrieved only the analog channels could be caused by poor DVB-T broadcasting and therefore is not covered by manufacturer warranty. Manufacturer cannot be held responsible for lack of poor DVB-T broadcasting in some areas.

The first time you switch the set on, the **Initial Setup** menu appears. (Refer to Figure 1.)

1. Press **UP/DOWN** to select your language, then press **OK/RIGHT** to enter the next step.
2. Press **UP/DOWN** to select your country, then press **OK/RIGHT** to enter the next step.
3. Press **UP/DOWN** to select **Scan**, then press **OK/RIGHT** to start the search automatically. All available TV programmes are stored. This operation takes a few minutes. The display shows the progress of the search and the number of programs found.

Note: To prevent the channel setup process from being interrupted, wait for the message indicating that the setup is complete.

In this step, you can also select **Skip Scan** to skip the initial setup progress.

4. During the setup, user can follow the hints available at the bottom of the screen to return to the last step by pressing **LEFT**. Or press **EXIT** to exit or interrupt the search halfway.
5. After initial setup is complete, press **OK** to exit. The channels are arranged in a preset order. If you wish to skip channels, modify the preset order or rename channels, select **Setup > Organiser** and press **OK/RIGHT** to enter.

Install channels

Automatically install channels

This section describes how to search and store channels automatically. Instructions are for both analog and digital channels.

1. Press **Menu** on the remote control and select **Setup > Language > Menu language**. Press **LEFT/RIGHT** to select your desired menu language.
2. Press **Menu** to return to **Setup**, press **UP/DOWN** to select **Country**, then press **LEFT/RIGHT** to select your country. The TV installs and arranges channels according to your country.
3. Press **UP/DOWN** to select **Channel install**, and press **OK/RIGHT** to enter.

4. Select **Automatic search** option (Refer to Figure 2.), press **OK/RIGHT** to start the automatic search process. The search may take a few minutes. During the process, you can press **Menu** to abort halfway.
5. Once the automatic search ends, press **Menu** to return to the last step or press **OK** to restart your channel search.
6. After the automatic search, channels are arranged in a preset order. You can skip channels, modify the preset order or rename channels.

Use your TV

Access channels

Using the digit keys: press the corresponding digit keys to access the channels.

Using the PR+/- keys: scroll through the channels.

Watch connected devices

Press **AV** key to switch between TV channel and other input sources. To resume TV viewing, press any digit key to enter the channel, while **PR+/-** will cycle through all TV channels and other input sources.

Volume

Volume control: use the **VOL+/-** or **VOL◀/▶** buttons on the TV set or **VOL+/-** buttons on the remote control to increase or decrease the volume. Sound mute: press the **Mute** button to temporarily mute the sound. Press this button again or the **VOL+** button to restore it.

Use TV menus

1. Press **Menu** to display the main menu. (Refer to Figure 3.)
2. Press **UP/DOWN/LEFT/RIGHT** to select the desired item, then press **OK** to open the corresponding submenu.
3. In submenu, use **UP/DOWN** to select menu options, use **LEFT/RIGHT** to set functions or change values. Use **OK** to activate a setting. Use **OK/RIGHT** to open the corresponding submenu.
4. Press **Menu** to return to the previous menu.
5. Press **EXIT** to close the menu.

Note: Some options may be not available for certain signal sources.

Select OSD language

You can choose the language of OSD following below instructions.

1. Press **Menu** to display the main menu.
2. Press **UP/DOWN/LEFT/RIGHT** to select **Setup**, then press **OK** to enter.
3. Select **Language** and press **OK** to enter.
4. Select **Menu language** and press **LEFT/RIGHT** to select your desired language to display the menus.
5. Press **EXIT** to close the menu.

Use more of your TV

Setup your favourite channels

You can create a list of up to seven of your favourite TV channels.

1. Select a channel you want to define as your favourite channel.
2. Press **FAV.** to display the **Favorite List** menu.
3. Press **UP/DOWN** to select a position, then press **OK** to select or unselect this channel as your favourite channel.
4. Repeat this procedure to setup other favourite channels.

Time detection

User can detect the time from digital channels through following operations.

1. Press **Menu** on the remote control and select **Timer > Clock > Auto synchronization.**
2. Press **LEFT/RIGHT** to select **On.**

Common interface

Scrambled digital TV channels can be decoded with a common interface module and a card provided by a digital TV service operator.

The common interface module may enable several digital services, depending on the operator and services you choose (for example, pay TV). Contact your digital TV service operator for more information about services and terms.

Use the common interface module

WARNING: Switch off your TV before inserting a common interface module. Be sure to follow the instructions described below. Wrong insertion of a common interface module may damage both the module and your TV.

1. Following the directions printed on the common interface module, gently insert the module into the common interface slot on the TV.
2. Push the module in as far as it will go.
3. Turn on the TV and wait for the common interface function to be activated. This may take several minutes.

Note: Do not remove the common interface module from the slot. Removing the module will deactivate the digital services.

Access common interface services

After inserting and activating the common interface module, press **Menu** on the remote control and select **Options > Common interface.**

This menu option is only available if the common interface module is correctly inserted and activated. On-screen applications and content are provided by your digital TV service operator.

Use subtitles

You can enable subtitles for each TV channel.

Subtitles are broadcast via teletext or DVB-T digital broadcasts. With digital broadcasts, you have the additional option of selecting a preferred subtitle language.

Turn on/off subtitles

1. Press **Menu** on the remote control and select **Options > Subtitle.**
2. Press **OK/RIGHT** to enter. (Refer to Figure 4.)
3. Select **Subtitle** option, and press **LEFT/RIGHT** to select **On/Off** to turn on/off subtitles.

Enable subtitle languages on digital TV channels

1. Press **Menu** on the remote control and select **Options > Subtitle > Digital subtitle language.**
2. Press **LEFT/RIGHT** to select a subtitle language as your preferred language.
3. Press **UP/DOWN** to select **Digital subtitle language 2nd.**
4. Press **LEFT/RIGHT** to select a secondary subtitle language.
5. Press **EXIT** to close the menu.

Shortcut operation: Press **Subtitles**(Green) on the remote control to directly select a subtitle language available for selected digital TV program.

Select a subtitle type on digital TV channels

1. Press **Menu** on the remote control and select **Options > Subtitle > Subtitle type.**
2. Press **LEFT/RIGHT** to select a subtitle type. You can select **Hearing impaired** to display the hearing impaired subtitle with your selected language.

Assign a channel decoder

Decoders that decode analog channels can be connected to AV1 connector. Assign the TV channel as a channel to be decoded. Then assign the connection where the decoder is connected.

1. Press **Menu** on the remote control and select **Setup > Decode.**
2. Press **OK/RIGHT** to enter the list.
3. Press **UP/DOWN** to select the channel to decode.
4. Press **OK** to select or unselect the channel.
5. Press **Menu** to return to the previous menu.

Display status information

Press **INFO** on the remote control to display the information on the current and next programme, if available. If the selected programme contains programme introduction, it will be shown at the lower part of the display.

Press **INFO** again to merely display the lower part of above display.

Press **INFO** for the third time, the current channel number and the time will be displayed.

Use Electronic programme guide

EPG is an on-screen guide that displays scheduled TV programmes. You can navigate, select and view programmes.

1. Press **GUIDE** on the remote control, the **Now and Next EPG** menu will appear, which allows you to get the knowledge about the current or next program playing on each channel. Navigate through the different programs using navigation keys on the remote control.
2. Use the colour keys to view **8 Days EPG**.
 - **Prev day**(Red): List the previous day's EPG.
 - **Next day**(Green): List the next day's EPG.
 - **View detail**(Yellow): Display the description about this programme.
 - **Type filter**(Blue): Program guide filter for digital TV programs.
 - Press the blue button to display the programs's type and subtype list.
 - Navigate through the different types and subtypes using navigation keys on the remote control.
 - Select one or more types which you want to highlight from the **Type** list, press **OK** to select (or unselect). A checkmark will appear to the left of the type when selected. When you select a type, all its subtypes will be selected accordingly.
 - Also, user can select some desired subtypes without selecting any type first.
 - Press the blue button to exit the type and subtype list.
 - After filtering, all your desired digital TV programs will be highlighted.
3. Press **GUIDE/EXIT** to exit the EPG and switch to the selected channel.

T-Link

To search for CEC devices connected to the HDMI sockets in your TV and enable one-touch play and one-touch standby between CEC devices.

Enable or disable T-Link

1. Press **Menu** on the remote control, then select **Options > T-Link**.
2. Press **LEFT/RIGHT** to select **On** or **Off**.

Use one-touch play

One-touch play enables you to press the play button on, for example, your DVD remote control. This starts playback on your DVD device and automatically switches your TV to the correct source, displaying DVD content.

Use System standby

System standby enables you to press and hold the **⏻** button on, for example, your TV remote control. This switches your TV and all connected HDMI devices on or to standby mode.

Factory reset

This feature enables you to reset the picture and sound settings to their predefined factory values, but maintains the channel installation settings.

1. Press **Menu** on the remote control to select **Options > Reset**. (Refer to Figure 5).
2. Press **OK/RIGHT** to enter.
3. Press **LEFT/RIGHT** to select **OK**, and press **OK** to start the resetting.

EN

Source labels

You can configure your TV according to the equipment you connect to it.

1. Press **Menu** on the remote control and select **Setup > Source labels**.
2. Press **OK/RIGHT** to enter **Source labels**.
3. Press **UP/DOWN** to select a connector your equipment is connected to.
4. Press **LEFT/RIGHT** to select the type of apparatus attached to this connector.
5. Press **Menu** to return to the **Setup** menu. After configuring, the selected source label will be displayed after the name of the related connector in the **Source** menu when pressing **Source** button on the remote control.

SPDIF type

Connect to an audio device through the **SPDIF out** output. Press **Menu** on the remote control and select **Options > SPDIF type**. Select a proper sound type from the list for digital programs.

- If the current program outputs sound in **AC3** format, then either **PCM** or **AC3** can be selected.
- If the current program does not output sound in **AC3** format, only **PCM** can be selected. Otherwise no sound will be output.
- Select **Off** to turn off the audio output from the audio device connected to the **SPDIF out** output.

Note: The options you may choose depend on the program you are watching.

Select decoding page language in Teletext

Press **Menu** on the remote control and select **Options > Decoding page language**. Select a proper type of language in which Teletext will display.

PAP function

To display the pictures from different source inputs side by side. Note that one window is for both analog and digital TV inputs, the other is for VGA, HDMI and CMP inputs. (*Note: AV input is invalid for both windows.*)

1. Press **Menu** to display the main menu.
2. Select **PAP** and press **OK** to enter.
3. Select **PAP** option, and press **LEFT/RIGHT** to turn on/off PAP function.
4. Select **TV position**, press **LEFT/RIGHT** to reposition the TV window.
5. Press **LEFT/RIGHT** to toggle the focus window.
6. When focus in TV window, digit keys and **PR+/-** work in TV. When focus in the other window, **PR+/-** can change available extension sources.

View pictures, play music and watch video from a USB storage device

Your TV is fitted with a USB connector that enables you to view pictures, listen to music or watch videos stored on a USB storage device.

Supported file formats

Picture	JPEG
Music	MP3
Video	AVI, MPEG4, H.264, MPEG2, MPEG1...

Note: Some USB keys and USB products like digital cameras or mobile phones are not fully compatible with USB 2.0 standard so it may not work with the TV multimedia player. Not all USB key or devices are compatible for the USB function.

When a USB device is detected, it enters the **Media Center** menu directly.

Picture

To display pictures if available.

1. Select **Media Center > Picture**, then press **OK** to enter the main file content browser.
2. In the main file content browser, you can press the red/green key on the remote control to page up/down.
3. Select an inner file folder, press **OK** to enter a sub file content browser. User can also press red/green key to page up/down in the same way as mentioned above.
4. Select a picture in either main or sub file content browser, press **OK** to watch, and a slide show begins from the selected picture.
5. Press the colour buttons on the remote control to perform the available functions shown at the bottom frame.

Music

To playback music if available.

1. Select **Media Center > Music**, then press **OK** to enter the main file content browser.
2. Press red/green key to page up/down in either main or sub file content browser in the same way as in picture display function.
3. Select a song, press **OK** to play, and an automatic playback begins from the selected song.
4. Press:
 - the colour buttons on the remote control to perform the available functions shown at the bottom frame.
 - **REV** (⏮), **PLAY** (⏪), **FWD** (⏩), **STOP** (⏹) or **PAUSE** (⏸) to perform the related functions.

Note: When playback, it will not display the data as Title, Artist, Album, Genre etc..

Video

To watch video if available.

1. Select **Media Center > Video**, then press **OK** to enter the main file content browser.
2. Press red/green key to page up/down in either main or sub file content browser in the same way as in picture display function.
3. Select a video, press **OK** to watch, and an automatic playback begins from the selected video.
4. Press:
 - the colour buttons on the remote control to perform the available functions shown at the bottom frame.
 - **REV** (⏮), **PLAY** (⏪), **FWD** (⏩), **STOP** (⏹) or **PAUSE** (⏸) to perform the related functions.

Note: If the function bar at the bottom of the TV screen disappears, press any colour button to make it reappear.

Notes for password in Parental Control function:

- Default password is 0000. User can change it to a new one.
- Super password is 0812. If you forget your code, enter it to override any existing codes.

MT62 BLOCK DIAGRAM_V1.0

