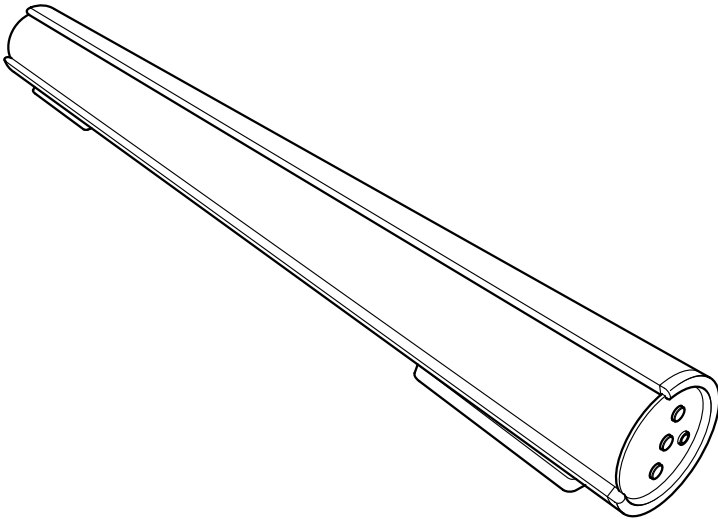


# Goodmans

GDSB02BT20  
20W Soundbar  
User Guide



**IMPORTANT:** Please read all instructions carefully before use and keep for future reference

# Introduction

## Thank you for choosing this Goodmans 20W Soundbar

To get the most from your purchase please take a few minutes to read through this instruction manual. This will help you to become familiar with the connections and settings.

**Safety is important**  
Use of any electrical equipment should be undertaken with care. Please read the safety section on page 11 before using your portable System. This appliance is for household use only.

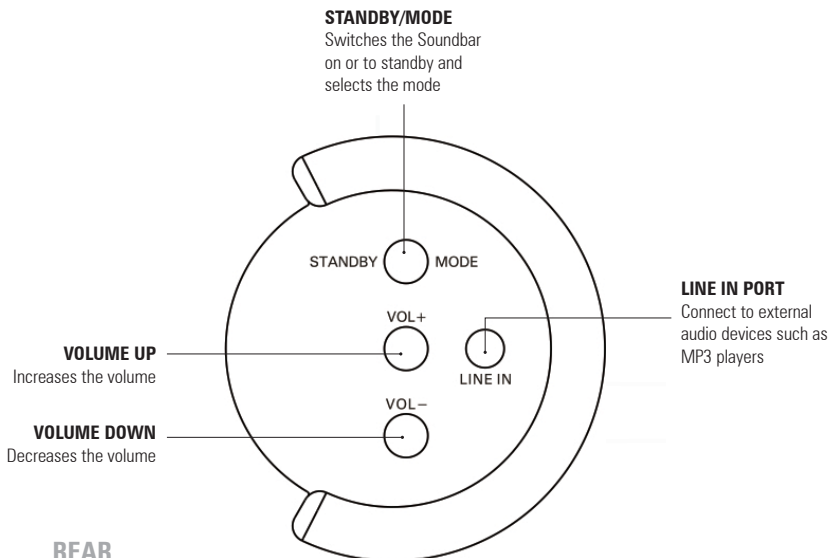
# What's in the box

- Goodmans 20W Soundbar
- 3.5mm LINE IN Cable
- RCA Cable
- AC Power Adapter
- Remote Control (1 x CR2025 Battery Supplied)
- Screws and Mountings for Attaching the Soundbar to the Wall
- User Guide

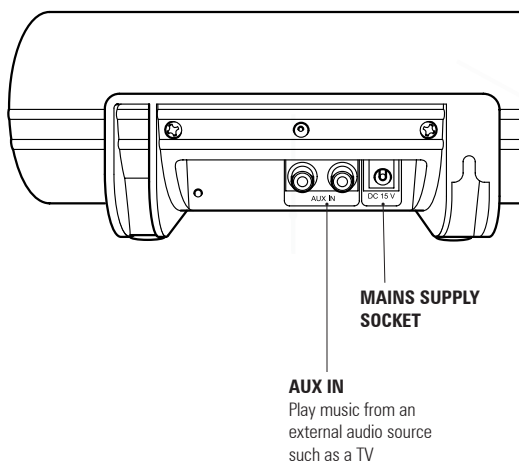
# Contents

<b>01</b> Your Soundbar.....	3	<b>04</b> Help and Advice.....	9
<b>02</b> Getting Started.....	5	<b>05</b> Specification/Guarantee.....	11
<b>03</b> Daily use .....	7	<b>06</b> Warnings.....	12

SIDE

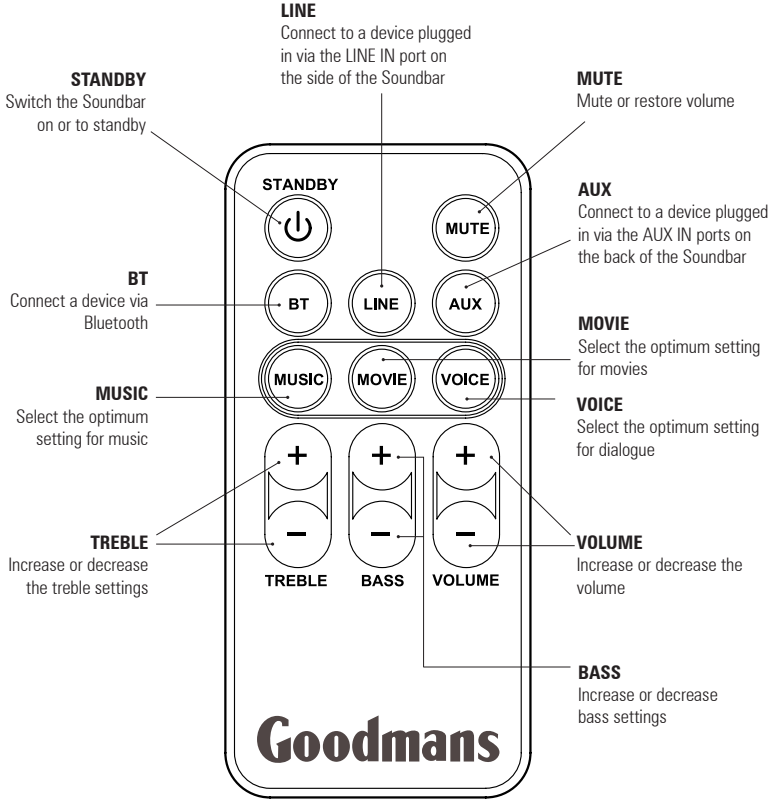


REAR



# 01 Your 20W Soundbar

## REMOTE CONTROL



**1****Siting your Soundbar**

You can stand your Soundbar on a level surface or attach it to the wall using the screws and mountings provided.

**2****Connecting Up Your Soundbar**

Connect the cables provided to the AUX IN ports on the back of the Soundbar and connect the other ends to the AUX OUT ports on your TV or other device.

**3****AC Power Connection**

Plug the power cable into the AC input socket at the rear of the Soundbar.

**4****AC Power Connection**

Connect the mains adapter to the power socket and turn the power on.

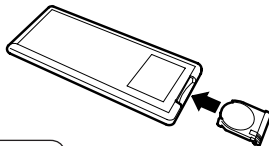
## 02 Getting Started

5

### Installing the Remote Control Batteries

Open the battery cover of the Remote Control and insert the battery (supplied) so that the '-' mark on the battery matches the '-' mark inside the remote control. Replace the battery cover.

To use the Remote Control, simply direct it towards the front of the Soundbar and press the desired buttons.



**DON'T FORGET!** When replacing the batteries make sure that you use the same size and type.

6

### Using the Remote Control

Please note that your Remote Control may not function:

1. At a distance or more than 5m from the Soundbar.
2. At an angle of more than 30° from the centre of the Soundbar.
3. If there is an obstacle between the Remote Control and the Soundbar.
4. When direct sunlight, an incandescent lamp, fluorescent lamp or any other strong light shines on the remote sensor on the Soundbar.

We have divided this user guide into separate sections, so that you can find the information you are looking for easily. This section covers the day to day functions that you will use most.

### Turning On and Off

When you apply power to the Soundbar the red LED illuminates to indicate that it is in standby mode. To exit standby mode and turn the Soundbar on:

Press and hold the **STANDBY** button until the green LED illuminates.

### Switching the Soundbar to standby

When you have finished using your Soundbar you can switch it to standby mode to save power.

Press and hold the **STANDBY** button until the red LED illuminates.

### Selecting an Input Mode

You can use the **MODE** button to select the desired input mode.

#### Selecting AUX IN

- 1 Make sure that you have plugged one end of the cable provided to the AUX IN ports on the Soundbar and the other end to the AUX OUT ports on the external audio device (for example TV or DVD player).
- 2 Press and hold the **STANDBY** button on the Soundbar, or alternatively press and release the **STANDBY** button on the Remote Control so that the green LED is illuminated.
- 3 Press and release the **STANDBY/MODE** button on the Soundbar, or alternatively press the **AUX** button on the Remote Control so that the white LED is illuminated.
- 4 Power on the external audio device and use as normal.
- 5 You can increase or decrease the volume by using the volume buttons on either the Soundbar or Remote Control.

#### Selecting LINE IN

- 1 Connect one end of the 3.5mm LINE IN cable (supplied) to the LINE OUT output on the external audio device (for example MP3 player) and the other end of the cable to the LINE IN port on the Soundbar.
- 2 Press and hold the **STANDBY** button on the Soundbar, or alternatively press and release the **STANDBY** button on the Remote Control so that the green LED is illuminated.

**DON'T FORGET!** If the Soundbar is in Bluetooth mode, the blue LED will flash. Press the **LINE** button on the Remote Control so that the green LED illuminates to select **LINE IN** mode, or press and release the **MODE** button on the Soundbar until the green LED is illuminated.

- 3 Power on the external audio device and use as normal.
- 4 You can increase or decrease the volume by using the volume buttons on either the Soundbar or Remote Control.

#### Selecting Bluetooth

- 1 Turn on the Soundbar and either press the **BT** button on the Remote Control or press and release the **STANDBY/MODE** button on the Soundbar until the blue LED flashes.
- 2 Turn on the external Bluetooth device and enter the search mode.
- 3 Your Soundbar has the name 'SDSB02BT20'. If prompted enter the code '0000' to pair the external Bluetooth device with your Soundbar.

### Other Settings

You can use the Remote Control to turn on and alter the settings on your Soundbar.

#### TREBLE

Use the + or - Treble buttons on the Remote Control to adjust the high frequency Treble settings as required.

#### BASS

Use the + or - Bass buttons on the Remote Control to adjust the low frequency Bass settings as required.

#### MUSIC

Press the **MUSIC** button on the Remote Control to select the optimum Soundbar setting for music.

#### MOVIE

Press the **MOVIE** button on the Remote Control to select the optimum Soundbar setting for movie audio.

#### VOICE

Press the **VOICE** button on the Remote Control to select the optimum Soundbar setting for dialogue.



If a fault occurs, first check the points listed below before taking the Soundbar for repair. Do not dismantle the Soundbar as there is a risk of electric shock.

If you are unable to rectify a problem by following these hints, consult your dealer or service centre.

**WARNING:** Under no circumstances should you try to repair the Soundbar yourself, as this will invalidate the warranty.

<b>Problem</b>	<b>What to do</b>
Soundbar does not respond (no power).	Check the mains power cable and make sure it is plugged into a suitable power outlet. Check that the mains power supply is switched on. Connect the power to a different power outlet.
No sound.	Check the volume control is not at minimum. Check that the Soundbar is not set to MUTE.
The Remote Control does not work.	Replace the battery. Make sure there are no obstacles obscuring the Soundbar.
No sound in Bluetooth mode.	Check that the Soundbar is paired with a Bluetooth device. If prompted enter the code '0000'.

### General Safety

- This Soundbar has been designed and manufactured to meet European safety standards, but like any electrical equipment, care must be taken if you are to obtain the best results and safety is to be assured.
- Do ensure that all electrical connections (including the mains plug, extension leads and interconnections between pieces of equipment) are properly made in accordance with the manufacturer's instructions.
- Only use the power adapter supplied with this Soundbar.
- Check that the voltage stated on the mains adapter rating plate corresponds to the mains electrical supply before plugging in.
- To completely disconnect the Soundbar from the mains electricity supply, remove the plug from the mains power socket.
- Switch off and remove the mains plug when making or changing any connections.
- Unwind and straighten the adapter cord before use.
- Site the Soundbar so that it is level and does not tilt.
- Do not cover the Soundbar as this will prevent ventilation from taking place. Overheating will cause damage and shorten the life of the Soundbar.
- Do not expose the Soundbar to humidity, rain, sand or excessive heat caused by heating equipment or direct sunlight.
- To clean the Soundbar, use a soft dry cloth. Do not use any cleaning agents containing alcohol, ammonia, benzene or abrasives as these may harm the housing.
- Remove the mains plug from the socket if the Soundbar will not be used for a long period of time.
- Only use attachments and accessories specified by the manufacturer.
- Do not place a naked flame source near the Soundbar.
- Do not attempt to remove any covers. If the power adapter or its lead become damaged, they must be replaced with components of the same type and rating.
- Repairs must only be performed by the manufacturer or suitably qualified personnel.
- The Soundbar shall not be exposed to dripping or splashing.
- Do not immerse the Soundbar, the power adapter or any accessories in water or any other liquid.
- No objects filled with liquids, such as vases, shall be placed on the Soundbar.
- Make sure that other people in your household are conversant with the Soundbar.
- Do consult your dealer if you are ever in doubt about the operation or safety of your Soundbar.
- Don't continue to operate the Soundbar if you are ever in doubt about it working normally, or if it is damaged in any way. Switch it off, remove the plug from the mains and consult your dealer.

TECHNICAL SPECIFICATION	
<b>Power Supply</b>	<ul style="list-style-type: none"> <li>• AC 230 V, 50 Hz.</li> </ul>
<b>Power Source of Soundbar</b>	<ul style="list-style-type: none"> <li>• DC 15V 1.5A</li> </ul>
<b>AC Adapter</b>	<ul style="list-style-type: none"> <li>• Input: AC 100-240V~, 50/60 Hz, 1.0A</li> <li>• Output: 15V, 1.5A</li> </ul>
<b>Power Source of Remote Control</b>	<ul style="list-style-type: none"> <li>• DC 3V, 1 x CR2025 Battery (supplied).</li> </ul>
<b>Power Consumption</b>	<ul style="list-style-type: none"> <li>• Maximum 30W</li> </ul>
<b>Audio Power</b>	<ul style="list-style-type: none"> <li>• Left Channel 10W</li> <li>• Right Channel 10W</li> </ul>
<b>Impedance</b>	<ul style="list-style-type: none"> <li>• Left Channel 8 Ohm, 10W Max</li> <li>• Right Channel 8 Ohm, 10W Max</li> </ul>

## Guarantee

The Soundbar is guaranteed for twelve months from the date of original purchase. If any defect should occur due to faulty materials or workmanship, contact Goodmans via the website ([www.goodmans.co.uk](http://www.goodmans.co.uk)). Have your receipt of purchase on hand.

The guarantee is subject to the following provisions:

- It is only valid within the boundaries of the country of purchase.
- The product must be correctly installed and operated in accordance with the instructions contained in this User Guide.
- The Soundbar must be used solely for domestic purposes.
- The guarantee will be rendered invalid if the Soundbar is re-sold or has been damaged by inexpert repair.
- The manufacturer disclaims any liability for incidental or consequential damages.
- The guarantee is in addition to, and does not diminish, your statutory or legal rights.



### WEEE

This appliance is labelled in accordance with European Directive 2002/96/EG concerning used electrical and electronic appliances (Waste Electrical and Electronic Equipment - WEEE). The guideline determines the framework for the return and recycling of used appliances.

### Sound levels

Your hearing is very important to you and to us, so please take care when using this Soundbar. It is strongly recommended that you follow the listed guidelines in order to prevent possible damage or loss of hearing.

#### Establish a safe sound level

Over time your hearing will adapt to continuous loud sounds and will give the impression that the volume has in fact been reduced. What seems normal to you may in fact be harmful. To guard against this **before your hearing adapts**, set the volume to a low level.

Slowly increase the level until you can hear comfortably and clearly and without distortion. Damage to your hearing is accumulative and is irreversible. Any ringing or discomfort in the ears indicates that the volume is too loud.

Once you have established a comfortable listening level, **do not increase the sound level.**

# Goodmans

[www.goodmans.co.uk](http://www.goodmans.co.uk)

DCS-JUN13-GDSB02BT20