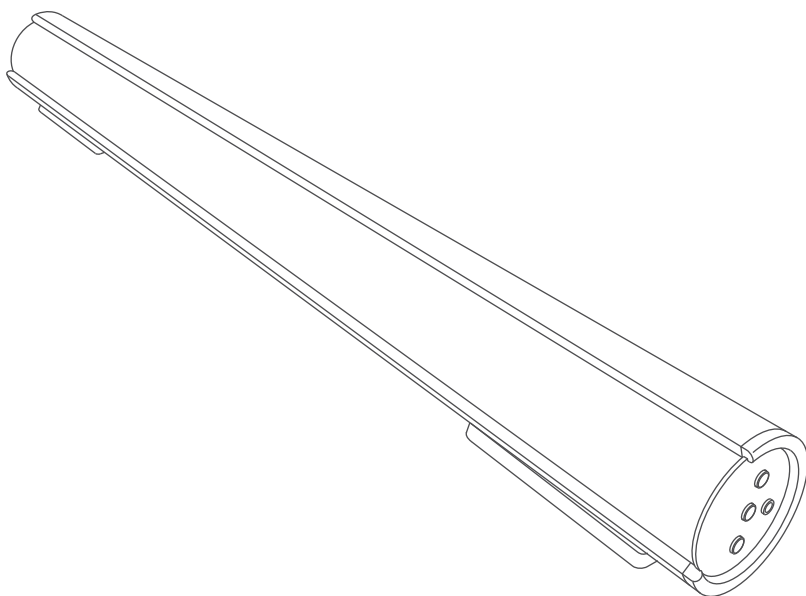


Goodmans 60W 2.0 Bluetooth Soundbar



USER MANUAL
MODEL: 356927



Goodmans

1 Welcome

2 Your 60W Soundbar

- 2.1 In The Box
 - 2.2 Side & Rear View
 - 2.3 Remote Control
-

3 Quick Setup

- 3.1 Sitting Your Soundbar
 - 3.2 Connecting Up Your Soundbar
 - 3.3 AC Power Connection
 - 3.4 Installing the Remote Control Batteries
 - 3.5 Using the Remote Control
-

4 Daily Use

5 Wall Mounting

6 Connection Instructions

- 6.1 Connecting TV/DVD via Aux Cable
 - 6.2 Connecting VIA LINE IN Cable
-

7 Set Up

- 7.1 Connecting your Sound Bar to your TV
 - 7.2 Via Headphone Connection
 - 7.3 Connecting to a mobile device
-

8 Useful Information

9 Troubleshooting

10 Technical Specifications

11 Customer Support

1 Welcome

Thank you for choosing this Goodmans product. We've been making electrical products for the British people for over 90 years. Each of our projects have been carefully designed to be great at what they do and this one is no exception. We hope you enjoy your music!

2 Your 60W Soundbar

2.1 In The Box

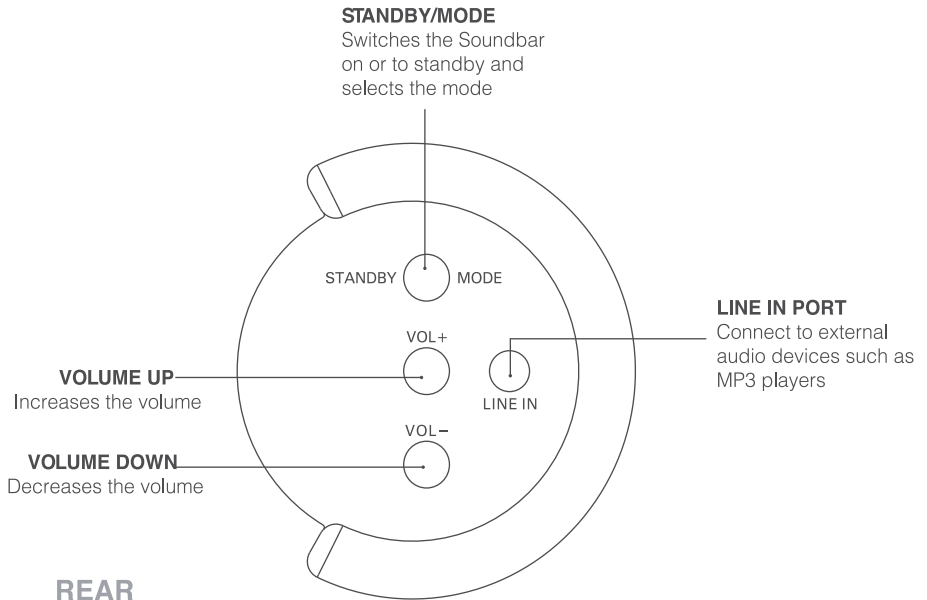
Carefully remove your Soundbar from the box.

Inside the box you will find:

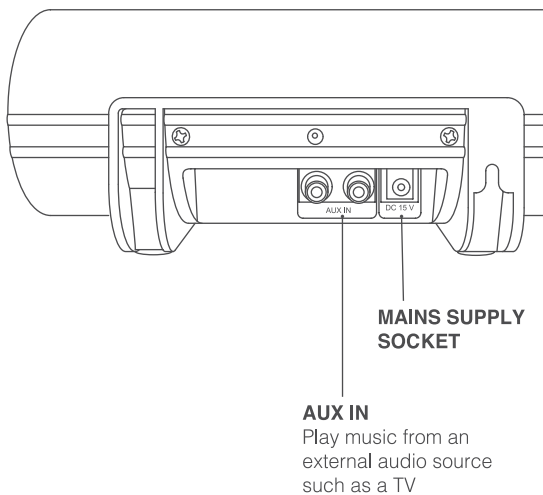
- 60W Soundbar
- 3.5mm LINE IN Cable
- RCA Cable
- AC Power Adapter
- Remote Control (1 x CR2025 Battery Supplied)
- Screws and Mountings for Attaching the Soundbar to the Wall
- Instruction Manual
- Safety & Guarantee Leaflet

2.2 Side & Rear View

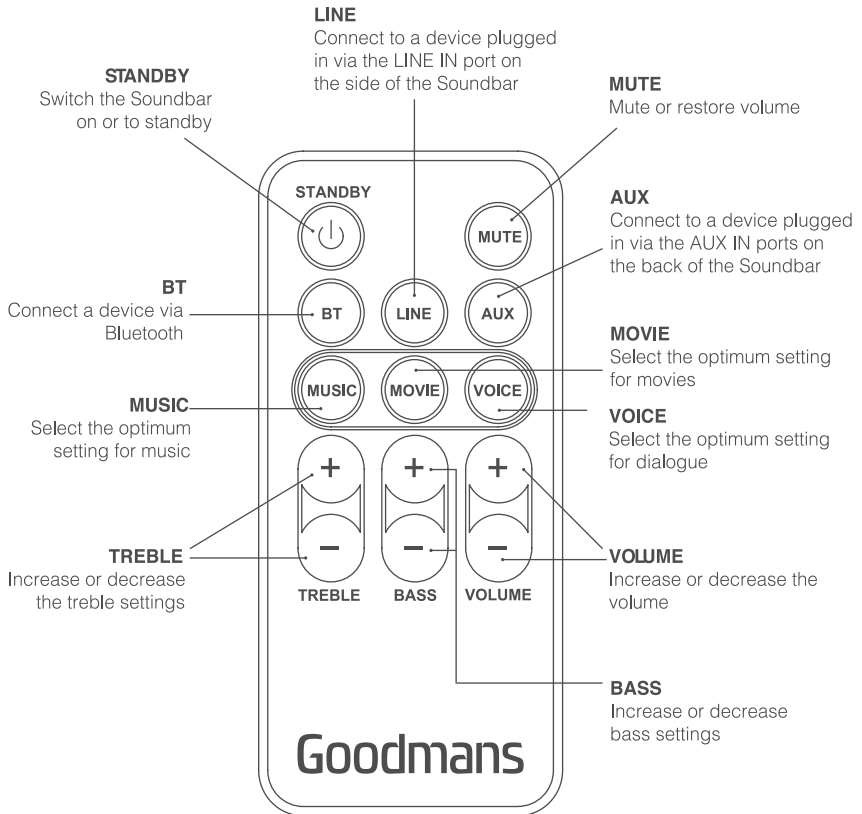
SIDE



REAR



2.3 Control Panel



3 Quick Set Up

3.1 **Siting your Soundbar**

You can stand your Soundbar on a level surface or attach it to the wall using the screws and mountings provided.

3.2 **Connecting Up Your Soundbar**

Connect the applicable audio cables (provided) to either the AUX IN or LINE IN ports on the Soundbar and connect the other ends to the AUX OUT, LINE OUT or HEADPHONES ports on your TV or other device.

Please note that if connecting via a headphones port on your external audio device the volume control of that device will affect the sound output on the Soundbar.

3.3 **AC Power Connection**

Plug the power cable into the AC input socket at the rear of the Soundbar. Connect the mains adapter to the power socket and turn the power on.

3.4 **Installing the Remote Control Batteries**

Open the battery cover of the Remote Control and insert the battery (supplied) so that the '+' mark on the battery matches the '+' mark inside the remote control. Replace the battery cover.

To use the Remote Control, simply direct it towards the front of the Soundbar and press the desired buttons.

DON'T FORGET! When replacing the batteries make sure that you use the same size and type.

3.5 **Using the Remote Control**

Please note that your Remote Control may not function:

1. At a distance or more than 5m from the Soundbar.
2. At an angle of more than 30° from the centre of the Soundbar.
3. If there is an obstacle between the Remote Control and the Soundbar.
4. When direct sunlight, an incandescent lamp, fluorescent lamp or any other strong light shines on the remote sensor on the Soundbar.

4 Daily Use

We have divided this user guide into separate sections, so that you can find the information you are looking for easily. This section covers the day to day functions that you will use most.

Change the auto standby function

You can change the auto off standby function on your soundbar by doing the following:

1. With the soundbar in standby mode, press the VOLUME+ and VOLUME- buttons for 10 seconds.
2. The lights on the soundbar will flash slowly. This confirms that auto standby function is now turned off.

To turn the auto standby function back on please complete the following:

1. With the soundbar in standby mode, press the VOLUME+ and VOLUME- buttons for 10 seconds.
2. The lights on the soundbar will flash fast. This confirms that the auto standby function is now turned on.

Turning On and Off

When you apply power to the Soundbar the red LED illuminates to indicate that it is in standby mode. To exit standby mode and turn the Soundbar on:

Press and hold the STANDBY button until the green LED illuminates.

Switching the Soundbar to standby

When you have finished using your Soundbar you can switch it to standby mode to save power.

Press and hold the STANDBY button until the red LED illuminates.

Selecting an Input Mode

You can use the **MODE** button to select the desired input mode.

Selecting AUX IN

- ① Make sure that you have plugged one end of the cable provided to the AUX IN ports on the Soundbar and the other end to the AUX OUT ports on the external audio device (for example TV or DVD player).
- ② Press and hold the **STANDBY** button on the Soundbar, or alternatively press and release the **STANDBY** button on the Remote Control so that the green LED is illuminated.
- ③ Press and release the **STANDBY/MODE** button on the Soundbar, or alternatively press the **AUX** button on the Remote Control so that the white LED is illuminated.
- ④ Power on the external audio device and use as normal.
- ⑤ You can increase or decrease the volume by using the volume buttons on either the Soundbar or Remote Control.

Daily Use Continued...

Selecting LINE IN

- ① Connect one end of the 3.5mm LINE IN cable (supplied) to the LINE OUT output on the external audio device (for example MP3 player) and the other end of the cable to the LINE IN port on the Soundbar.
- ② Press and hold the **STANDBY** button on the Soundbar, or alternatively press and release the **STANDBY** button on the Remote Control so that the green LED is illuminated.
DON'T FORGET! If the Soundbar is in Bluetooth mode, the blue LED will flash. Press the LINE button on the Remote Control so that the green LED illuminates to select LINE IN mode, or press and release the MODE button on the Soundbar until the green LED is illuminated.
- ③ Power on the external audio device and use as normal.
- ④ You can increase or decrease the volume by using the volume buttons on either the Soundbar or Remote Control.

Selecting Bluetooth

- ① Turn on the Soundbar and either press the **BT** button on the Remote Control or press and release the **STANDBY/MODE** button on the Soundbar until the blue LED flashes.
- ② Turn on the external Bluetooth device and enter the search mode.
- ③ Your Soundbar has the name 'GDSB02BT60'.
- ④ If prompted enter the code '0000' to pair the external Bluetooth device with your Soundbar.

Other Settings

You can use the Remote Control to turn on and alter the settings on your Soundbar.

TREBLE. Use the + or - Treble buttons on the Remote Control to adjust the high frequency Treble settings as required.

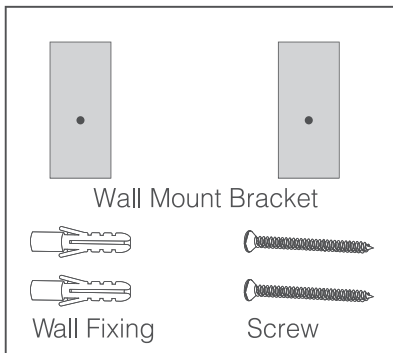
BASS. Use the + or - Bass buttons on the Remote Control to adjust the low frequency Bass settings as required.

MUSIC. Press the MUSIC button on the Remote Control to select the optimum Soundbar setting for music.

MOVIE. Press the MOVIE button on the Remote Control to select the optimum Soundbar setting for movie audio.

VOICE. Press the VOICE button on the Remote Control to select the optimum Soundbar setting for dialogue.

5 Wall Mounting



Accessories

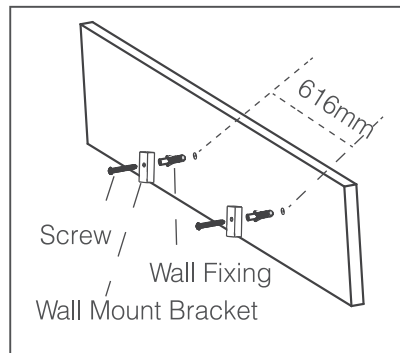


Fig 1

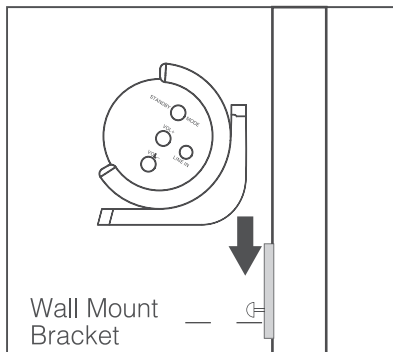


Fig 2

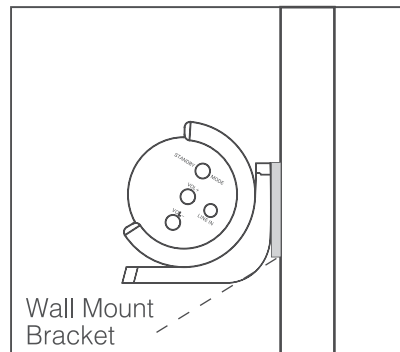


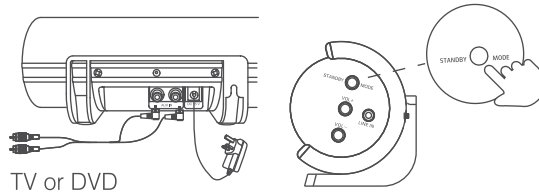
Fig 3

Note: Please consult a professional before attempting to mount the soundbar

6 Connecting Instructions

6.1 Connecting TV/DVD via Aux Cable

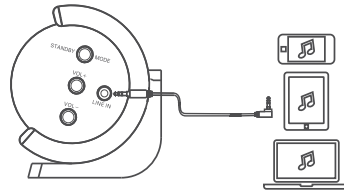
1. Connect one end of the RCA cable to the back of the soundbar and the other end to your TV or DVD player.
2. Press the "MODE" Button on the side of the soundbar until the indicator light on the front of the unit is solid white.
3. Adjust volume to the desired level.



6.2 Connecting VIA LINE IN Cable

Play music from your device through the line in connection on the soundbar.

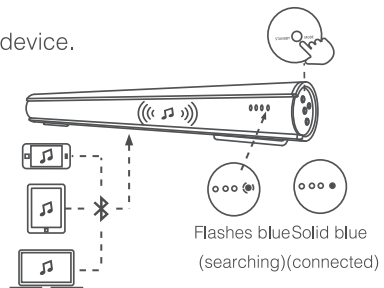
1. Connect one end of the 3.5mm line in cable to the port on the side of the soundbar and the other end to your device.
2. Press the "MODE" Button on the side of the soundbar until the indicator light on the front of the unit is solid green.
3. Adjust volume to the desired level.



DID YOU KNOW?

You can play music wirelessly through your soundbar using a bluetooth enabled device.

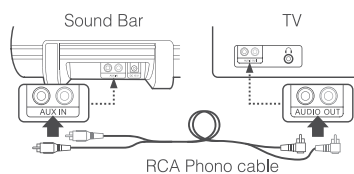
1. Press the "MODE" button on the side of the soundbar until the blue light on the front of the unit flashes.
2. Connect to the soundbar by switching on bluetooth on your device and select < GDSB02BT60 > from the list.
The indicator light on the soundbar will turn solid blue when the devices are connected.
3. Control the sound level from your mobile device.



7 Set Up

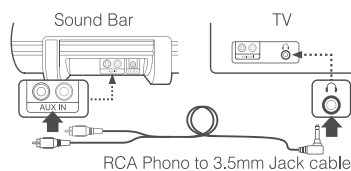
7.1 Connecting your Sound Bar to your TV

Via RCA Phono Cable Connection (Recommended). This is the best connection method if it's available on your TV.



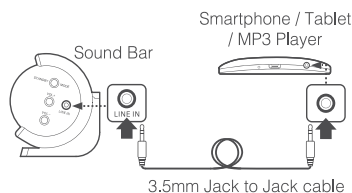
7.2 Via Headphone Connection

This is a universal connection method and most TV's have a headphone socket. Note: Turn up the volume on your TV to around mid way and use the Sound Bar Remote Control to adjust the volume.



7.2 Connecting to a mobile device

Play music from your Smartphone, Tablet or MP3 Player via the LINE IN connection.



8 Useful Information

Eco-Friendly Standby Feature

All electronic devices by law have to adhere to strict power consumption regulations. All Sound Bars have to have a feature that automatically switches them into a Standby Mode when they are idle. The auto standby feature can inadvertently switch your Sound Bar into standby mode if the volume is too low. To combat this set the volume higher on the TV and lower on the Sound Bar. This will ensure a higher volume is always being presented to the input of the Sound Bar.

Sound Interference

RCA Phono and Headphone 3.5mm LINE IN cables could be subject to sound interference. Please route cables carefully and not near mains cables.

TV Speaker not disabled

If the sound is still coming out of the TV speaker then you may need to disable the TV speakers and then enable the audio feature.

This can be done via the TV Settings menu (consult your TV User Guide).

Bluetooth Connection

This technology is to enable you to connect your Smartphone or Tablet to the Sound Bar for playback of your music library. This connection method is not compatible with Bluetooth enabled Smart TVs.

9 Troubleshooting

If a fault occurs, first check the points listed below before taking the Soundbar for repair. Do not dismantle the Soundbar as there is a risk of electric shock. If you are unable to rectify a problem by following these hints, consult your dealer or service centre.

WARNING: Under no circumstances should you try to repair the Soundbar yourself, as this will invalidate the warranty.

Problem	What to do
Soundbar does not respond (no power).	<ul style="list-style-type: none">• Check the mains power cable and make sure it is plugged into suitable power outlet.• Check that the mains power supply is switched on.• Connect the power to a different power outlet.
No sound	<ul style="list-style-type: none">• Check the Soundbar volume control is not at minimum.• Check that the Soundbar is not set to MUTE.• If you are connecting to the Soundbar using a headphones port on your external audio device then check the volume is turned up on that device
The Remote Control does not work.	<ul style="list-style-type: none">• Replace the battery.• Make sure there are no obstacles obscuring the Soundbar.
No sound in Bluetooth mode.	<ul style="list-style-type: none">• Check that the Soundbar is paired with a Bluetooth device. If prompted enter the code '0000'.

10 Technical Specifications

Model Number	356927
Power Source of Soundbar	DC 15V 1.5A
AC-Adapter	AC 100-240V~, 50/60 Hz, 0.8A
Power Source of Remote Control	DC 3V, 1 x CR2025 Battery (supplied).
Power Consumption	Maximum 60W
Audio Power	Left Channel 10W, Right Channel 10W
Impedance	Left Channel 8 Ohm, 10W Max Right Channel 8 Ohm, 10W Max
Bluetooth Specification	v4.2
Frequency Bands	2402-2480 MHz
Eirp Power(Max.)	0dBm
Speaker Power	60W
Operating Distance	up to 10 m

11 Customer Support

This Product is intended for use within the UK
This appliance complies with the below listed EU Directives
2014/53/EU Radio Equipment Directive
2014/35/EU Low Voltage Directive
2014/30/EU Electromagnetic Compatibility Directive
2011/65/EU Restriction of Hazardous Substances Directive
The complete declaration of conformity is available upon request for relevant enquiries

Information on Waste Disposal for Consumers of Electrical & Electronic Equipment.

This mark on a product and/or accompanying documents indicates that when it is to be disposed of, it must be treated as Waste Electrical & Electronic Equipment (WEEE). Any WEEE marked waste products must not be mixed with general household waste, but kept separate for the treatment, recovery and recycling of the materials used. For proper treatment, recovery and recycling; please take all WEEE marked waste to your Local Authority Civic waste site, where it will be accepted free of charge. If all consumers dispose of Waste Electrical & Electronic Equipment correctly, they will be helping to save valuable resources and preventing any potential negative effects upon human health and the environment, of any hazardous materials that the waste may contain.



