

# Full HD 3D Slim LED TV with USB Media Player

## User Guide



Model No  
32-191F3D

# Important Safety Instructions

**IMPORTANT** - Please read these instructions. All the safety and operating instructions should be read before the appliance is operated.



## Warnings

- To reduce the risk of fire, electric shock or damage to the television, do not expose it to dust, rain or moisture, or place any objects filled with liquids on or near the television.
- Do not place the television in a confined space, ensure that nothing can obstruct the ventilation openings at the rear of the television.

To prevent the spread of fire, keep candles or other open flames away from this product at all times



- Dispose of this television and any components including batteries in an environmentally friendly manner. If in doubt, please contact your local authority for details of recycling.

## Safety

- For your safety, this appliance is fitted with a fused moulded 3 pin mains plug. Should the fuse need to be replaced, ensure that any replacement is of the same amperage and approved with the BSI mark.
- The television should be connected to a main socket outlet with a protective earthing connection.
- Never try and replace the mains plug unless you have adequate qualifications and are legally authorised to do so. In the event that a replacement Mains cable is required, contact the manufacturer for a suitable replacement.
- Never use the television if it is damaged in any way.
- Always place the television on a flat level surface avoiding anywhere which may be subject to strong vibration.
- Ensure the television is not placed on top of the power cable as the weight of the television may damage the cable and cause a safety hazard.
- Never place mobile phones, speakers or any other device which may cause magnetic or radio interference with the television. If interference is apparent, move the device causing the interference away from the television.
- To disconnect the apparatus from the mains, please use the all pole mains switch located on the side, underside or rear of the TV. The switch shall remain readily operable.

- Batteries (battery pack or batteries installed) shall not be exposed to excessive heat such as sunshine, fire or the like.
- Install the product at least 5cm from the wall for ventilation.

## Maintenance

- To clean this unit, wipe with a soft, dry cloth. If the surfaces are extremely dirty, use a soft cloth dipped in a soap and water solution or a mild detergent solution.
- Use eyeglass cleaner to remove stubborn dirt from the LCD/LED Screen.
- Never use alcohol, paint thinner or benzene to clean this unit.
- Before using a chemically treated cloth, read the instructions that came with the cloth carefully.



**CAUTION:** If water or other liquid enters the television through the display panel surface or back cover a malfunction may occur.

## Packaging

- The safest way to transport your item is in the original box/packaging - please save your packaging for this.
- You will need original box/packaging in the event of warranty/service repair or support. We are unable to carry out warranty/service if you are unable to package it correctly.

# Important Safety Instructions

**IMPORTANT** - Please read these instructions. All the safety and operating instructions should be read before the appliance is operated.



## Important Information - Regarding Use of Video Games, Computers, Captions or Other Fixed Image Displays

The extended use of fixed image program material can cause a permanent "shadow image" on the LCD panel.

This background image is viewable on normal programs in the form of a stationary fixed image. This type of irreversible LCD/LED panel deterioration can be limited by observing the following steps:

1. Reduce the brightness/contrast setting to a minimum viewing level.
2. Do not display the fixed image for extended periods of time.
3. Turn the power off when not in actual use.

Examples of images that you need to watch out for are as follows (this is not an exhaustive list):

- TV Channel Logos: e.g. Shopping channel logos and pricing displays-especially if they are bright and stationary. Moving or low-contrast graphics are less likely to cause ageing of the screen.
- Time Displays
- Teletext: Do not view a stationary page for long period of time
- TV/DVD Menus: e.g. Listings of DVD disk content
- Pause Mode: Do not leave the TV in pause mode for long periods of time, e.g. When watching DVDs or videos.

**Important** - Once 'shadow image/screen burn' occurs, it will never disappear and is not repairable under warranty.

## How do I dispose of this product?

**UK:** Waste electrical products should not be disposed of with household waste. Separate disposal facilities exist. For your nearest facilities, please see [www.recycle-more.co.uk](http://www.recycle-more.co.uk) or in store for details.

**ROI:** Waste electrical products should not be disposed of with household waste. Separate disposal facilities exist. Check with your Local Authority or retailer for recycling advice. Observe the correct polarity when inserting batteries.

## Batteries

- Do not use different types of batteries together or mix old and new batteries.
- Dispose of batteries in an environmentally friendly way.
- Certain regions may regulate the disposal of batteries.




Please consult your local authority.

Cd



**SRS TruSurround HD™** creates an immersive, feature-rich surround sound experience from two speakers, complete with rich bass, high frequency detail and clear dialog.

**TruSurround HD, SRS** and the  symbol are trademarks of SRS Labs, Inc.

# Important Safety Instructions

**IMPORTANT** - Please read these instructions. All the safety and operating instructions should be read before the appliance is operated.



## 3D Safety Information

- If you watch the 3D imaging too closely or for a long period of time, it may harm your eyesight.
- Watching the TV or playing video games that incorporate 3D imaging with the 3D glasses for a long period of time can cause drowsiness, headaches or fatigue to you and/or your eyes. If you have a headache, or otherwise feel fatigued or drowsy, stop watching the TV and take a rest.
- Pregnant woman, seniors, persons with heart problems or persons who experience frequent drowsiness should refrain from watching 3D TV.
- Some 3D imaging may cause you to duck or dodge the image displayed in the video. Therefore, it is best if you do not watch 3D TV near fragile objects or near any objects that can be knocked over easily.
- Please prevent children under the age of 5 from watching 3D TV as it may affect their vision development.

## Risk of photosensitization seizure can be reduced with the following actions.

- Take frequent breaks from watching 3D TV.
- For those who have vision that is different in each eye, they should watch the TV after taking vision correction measures.
- Watch the TV so that your eyes are on the same level as the 3D screen and refrain from sitting too closely to the TV.
- Do not watch the 3D imaging when tired or sick, and avoid watching the 3D imaging for a long period of time.
- Do not wear the 3D glasses for any other purpose than viewing 3D imaging on a 3D TV.
- Some viewers may feel disoriented after watching 3D TV. Therefore, after you watch 3D TV, take a moment to regain awareness of your situation before moving.

## Warning for photosensitization seizure

- Some viewers may experience a seizure or epilepsy when exposed to certain factors, including flashing lights or images in TV or video games. If you or anybody from your family has a history of epilepsy or seizure, please consult with your doctor before watching 3D TV. Also certain symptoms can occur in unspecified conditions without any previous history. If you experience any of the following symptoms, immediately stop watching the 3D imaging and consult a doctor: dizziness or light headedness, visual transition or altered vision, visual or facial instability, such as eye or muscle twitching, unconscious action, convulsion, loss of conscience, confusion or disorientation, loss of directional sense, cramps, or nausea. Parents should monitor their children, including teenagers, for these symptoms as they may be more sensitive to the effects of watching 3D TV.

# Contents

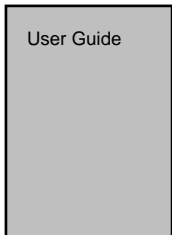
<b>Manufacturers Guarantee Information</b>	<b>3</b>
<b>Important Safety Instructions</b>	<b>4-7</b>
<b>What is included in the box</b>	<b>8</b>
<b>Attaching the stand</b>	<b>9</b>
<b>Detaching the stand and wall mounting</b>	<b>10</b>
<b>Getting Started - Initial Set Up</b>	<b>11</b>
<b>TV Buttons and Input Source Menu</b>	<b>12</b>
<b>Remote Control</b>	<b>13</b>
<b>Connections</b>	<b>14-15</b>
<b>TV Menu Operation</b>	<b>16-22</b>
Channel Menu	16
Picture Menu	17
Sound Menu	18
Time Menu	19
Feature Menu	20
Setup Menu	21
3D Settings	22
<b>PC Operation</b>	<b>23-24</b>
<b>7 Day TV Guide</b>	<b>25</b>
<b>USB Mode / Media Player</b>	<b>26</b>
<b>General Information</b>	<b>27-31</b>
Using your TV with a Sky digital set top box	27
Frequently Asked Questions	28-29
Technical Specifications	30
Index	31

# What Is Included In The Box

## Accessories

Included with this TV are the following accessories:

1 x User Guide



1 x Remote Control



1 x Quick Start Guide



2 x AAA Batteries



1 x RF Cable



1 x TV



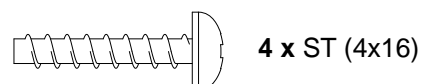
4 x 3D Glasses



1 x Stand Installation Pack



5 x M (4x12)



4 x ST (4x16)

Please save your packaging as you will need this in the event of warranty/service repair or support. We are unable to carry out warranty/service if you are unable to package it correctly. The safest way to package your item in the event of warranty/service repair is in its original box/packaging.

# Attaching The Stand

To complete the stand installation you will require a Phillips screw driver.

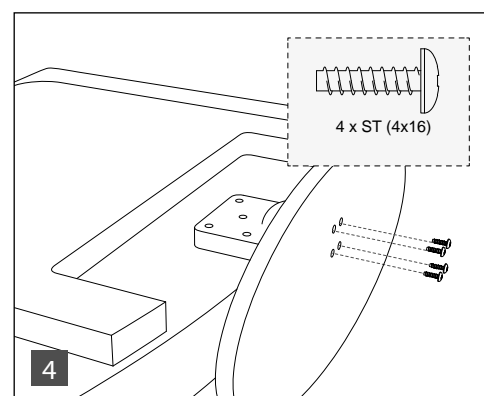
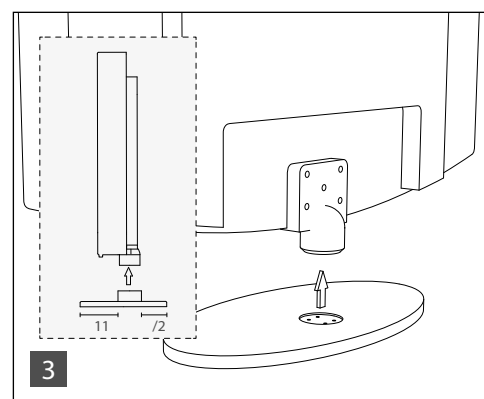
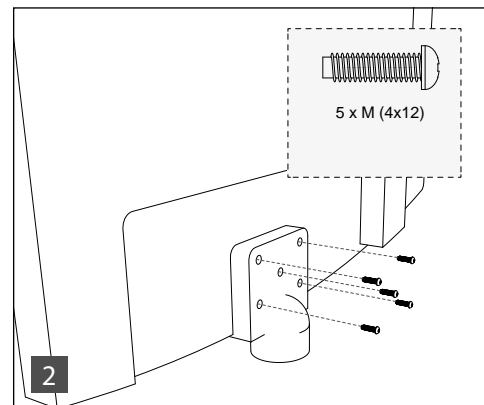
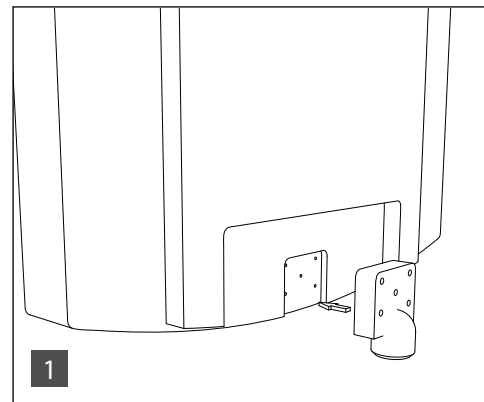
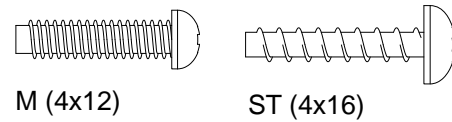
The Stand Installation pack comes with two sets of screws.

**fig 1)** Attach the stand neck to the rear of the TV set.

**fig 2)** Secure the neck to the TV using the 5 x M (4x12) screws provided.

**fig 3)** Attach the stand base to the neck.

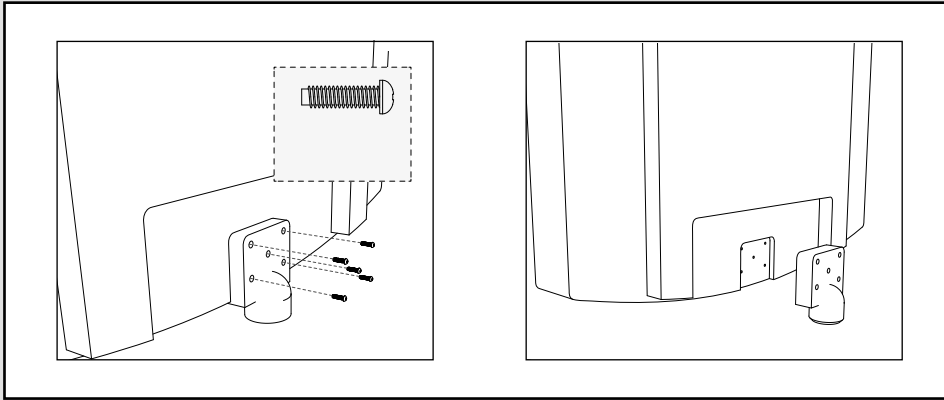
**fig 4)** Secure the base to the neck using the 4 x ST (4x16) screws provided.



# Detaching The Stand And Wall Mounting

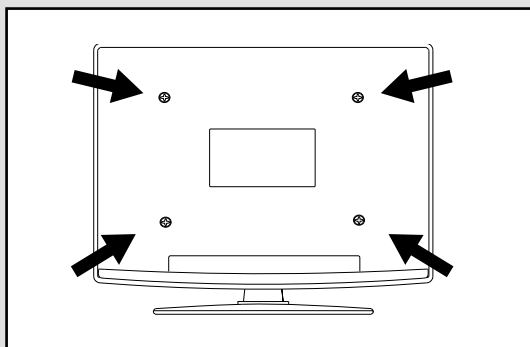
## Detaching the Stand

To detach the stand please remove the 5 screws highlighted then remove the stand neck and base from the rear of the TV set.



## Wall Mounting the TV

**IMPORTANT** - Before drilling any holes in the wall ensure you are not drilling where there could be any electric wires, water or gas pipes.

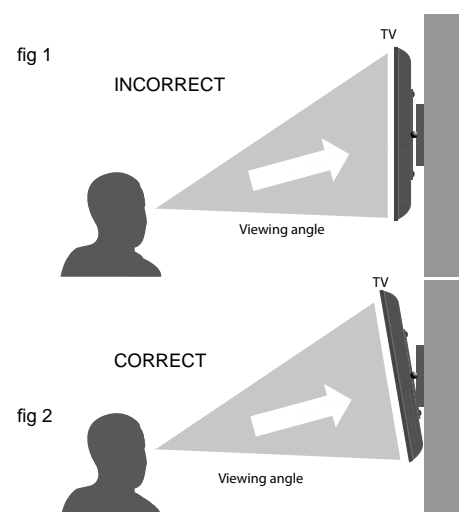


1) Remove the four screws highlighted below.

2) The wall mount can now be easily attached to the mounting holes on the rear of the TV. These holes are indicated in the picture below.

For optimum viewing, if wall mounting the TV higher than eye level, the TV should be tilted downwards so that the TV's screen is 'face on'. See **fig 1** and **2**

**IMPORTANT** – If wall mounting this TV, only use the screws already provided in the wall mounting holes. Using other screws which are longer could cause irreparable damage to internal parts.





# Getting Started - Initial Set Up

1) Using the RF cable supplied, connect the TV to the TV Aerial wall socket (Fig A)

Connect the power cable to the Electrical outlet (Fig B)

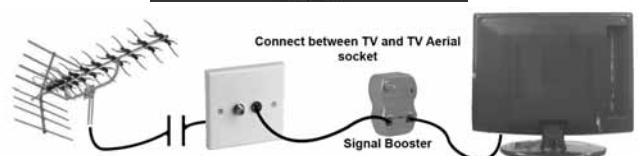
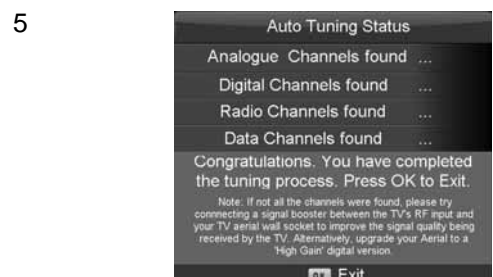
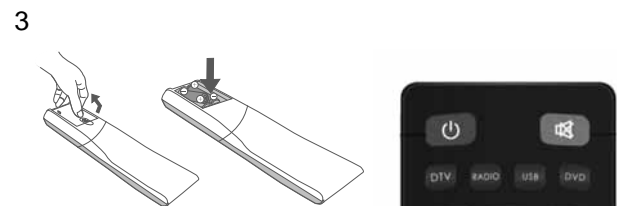
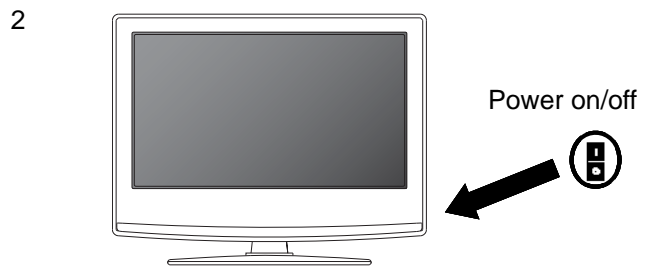
2) Switch on the television using the power on/off switch located on the side of the TV.

3) Insert the batteries supplied into the Remote control and press the Standby button to power on the TV

4) You will now be welcomed with the initial set-up screen. If it does not appear, on the remote control, please press [MENU] then 8-8-8-8 and the menu will appear. Press OK on the remote control and tuning will start.

5) After tuning the following screen will appear.

If you are missing channels, the reason for this is likely to be signal strength, you should consider connecting signal booster and re-tuning the TV.



## Important

As part of our ongoing development to reduce power consumption, we have added an extra function to this Television called 'Ecohome' (you will see this during the first time installation set up). Power consumption using the Ecohome function is approximately 15% lower than some other modes. The picture brightness is reduced using the Ecohome function. If this function is not suitable for your viewing environment, you can select other modes as necessary. (Please note, 'Demo' mode is for optimum default picture settings, however, power consumption is approximately 15% higher than 'Ecohome' mode)

Please refer to the user guide section 'Picture settings' in order to change the mode to one that maybe more suitable for your environment. There is also a shortcut button on the remote control called 'P-Mode' should you wish to change to another mode.

# TV Buttons & Source Menu



1. Volume up and menu right
2. Volume down and menu left
3. Programme/Channel up and menu up
4. Programme/Channel down and menu down
5. Displays Menu/OSD
6. Displays the input source menu
7. Standby Power On/Off

## Choosing Mode Input/Source

To switch between the different input/connections.

A) Using the buttons on the remote control:

- 1) Press [SOURCE/ AV] - The source menu will appear
- 2) Press [V] or [^] to select the input you require.
- 3) Press [OK]

B) Using the buttons on the Television:

- 1) Press [SOURCE]
- 2) Scroll up / down using CH+/ CH- buttons to the input/source you require
- 3) Press Vol+ to change input/source to the one selected.

DVD source is only available on models with DVD Player



# Remote Control

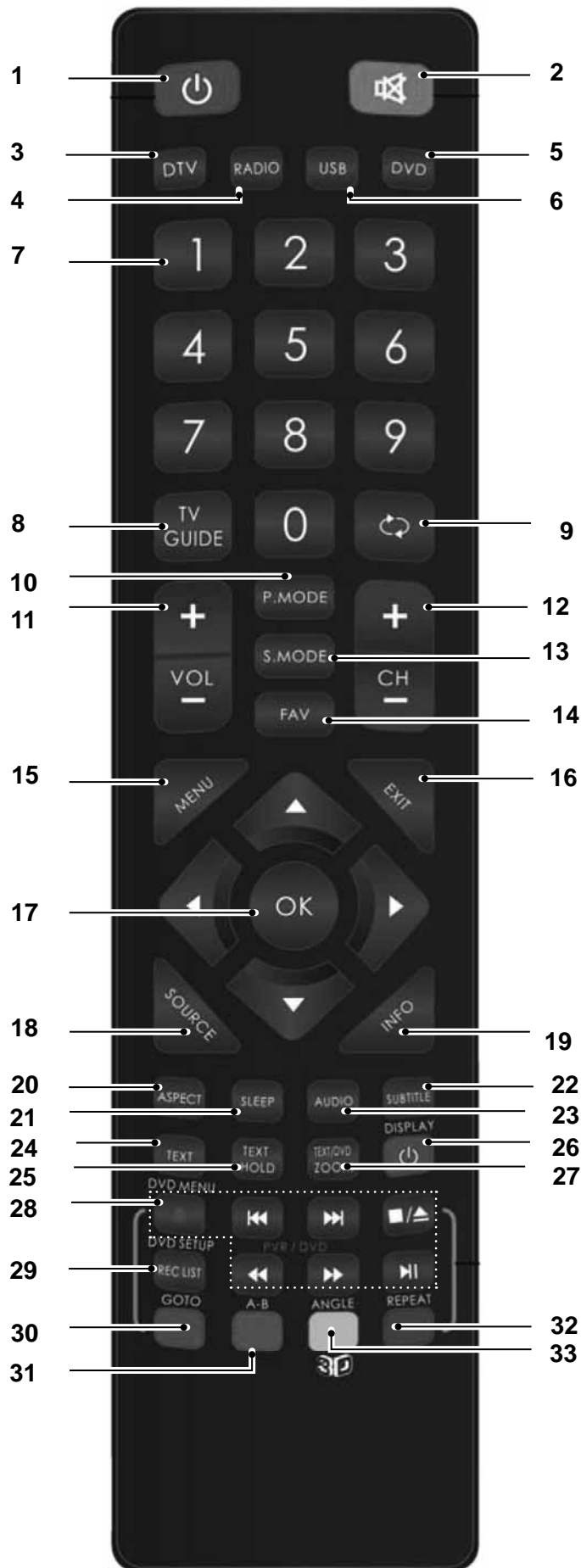
## Viewing remote control - TV

1. STANDBY
2. MUTE
3. DTV
4. RADIO
5. DVD
6. USB
7. NUMBER BUTTONS
8. TV GUIDE
9. ↶ - To return to the previous channel viewed
10. P.MODE - Scrolls through picture mode options
11. VOL ▲/▼
12. CH ▲/▼
13. S.MODE - Scrolls through sound mode options
14. FAV - To display favourites menu
15. MENU
16. EXIT
17. (▲/▼/◀/▶/OK) - Allows you to navigate the on-screen menus and adjust the system settings to your preference
18. SOURCE/AV
19. INFO - Press once for now/next channel information  
Press twice for programme information about current programme
20. ASPECT
21. SLEEP
22. SUBTITLE
23. AUDIO
24. TEXT
25. TEXT HOLD
26. TEXT/DVD ZOOM -  
DVD Zoom  
TEXT
27. DVD Menu
28. DVD Menu

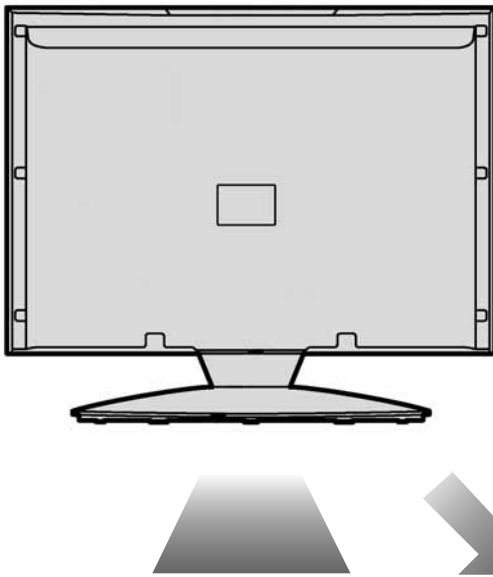
- ⏮ - To restart the current chapter
- ⏭ - To advance forward to the next chapter
- ⏸ - To stop the playback/Eject Disc
- ⏪ - To play in fast rewind mode
- ⏩ - To play in fast forward mode
- ⏹ - To play/pause

29. REC LIST
30. GOTO
31. A-B
32. REPEAT
33. ANGLE
- 3D - Change to 3D mode

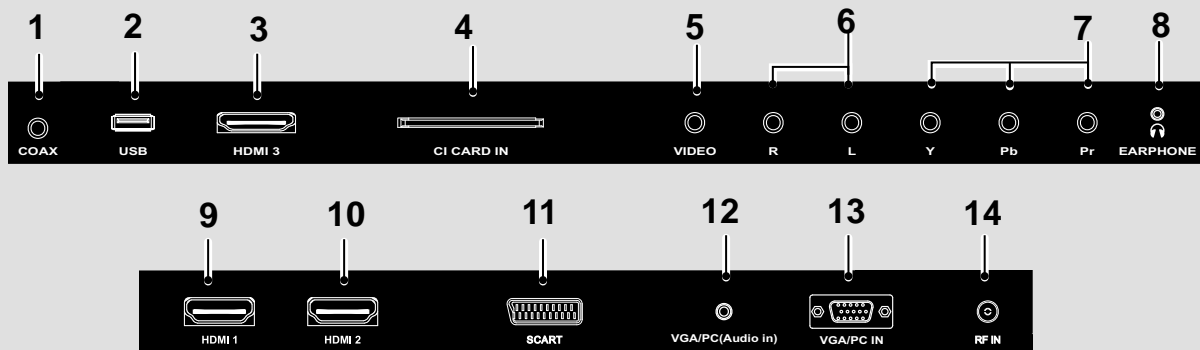
- Ⓜ For Models with Integrated DVD players
- Ⓜ For Models with PVR Function
- Ⓜ For Models with USB Playback
- Ⓜ For Models with 3D Feature



# Connections

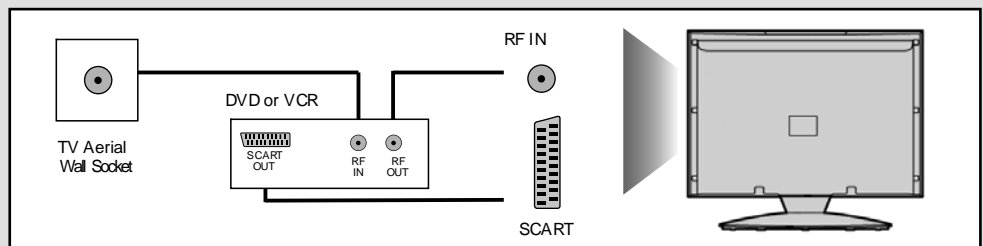


- |    |                  |                         |
|----|------------------|-------------------------|
| 1  | COAX Audio Out   | Digital Coax output     |
| 2  | USB              | USB port                |
| 3  | HDMI 3           | HDMI input              |
| 4  | CI CARD IN       | Common Interface module |
| 5  | Video            | Video Input             |
| 6  | R/L Audio in     | Component Audio input   |
| 7  | COMPONENT (HD)   | Component input (YPbPr) |
| 8  | EARPHONE         | Earphone Socket         |
| 9  | HDMI 1           | HDMI input              |
| 10 | HDMI 2           | HDMI input              |
| 11 | SCART            | SCART input             |
| 12 | VGA(PC) Audio In | 3.5mm PC audio input    |
| 13 | VGA(PC)          | VGA-PC input            |
| 14 | RF IN            | RF / TV Aerial Input    |



## Connecting a DVD Player/Recorder, Video Recorder or Cable/Satellite Box

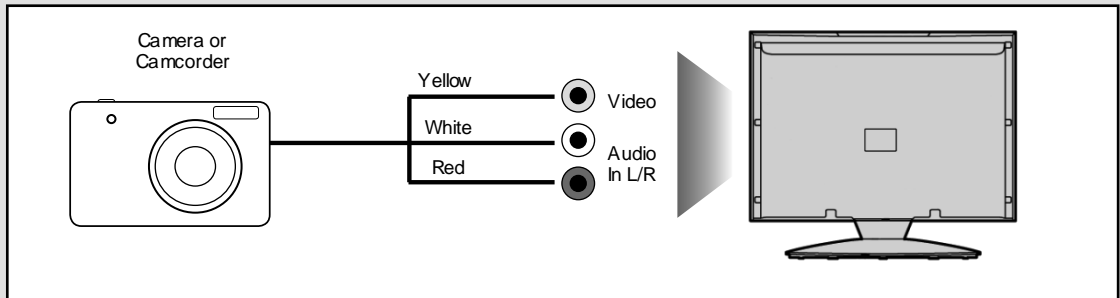
TVs Input/Source should be set to SCART



# Connections

## Connecting a Camcorder, Camera or Games Console

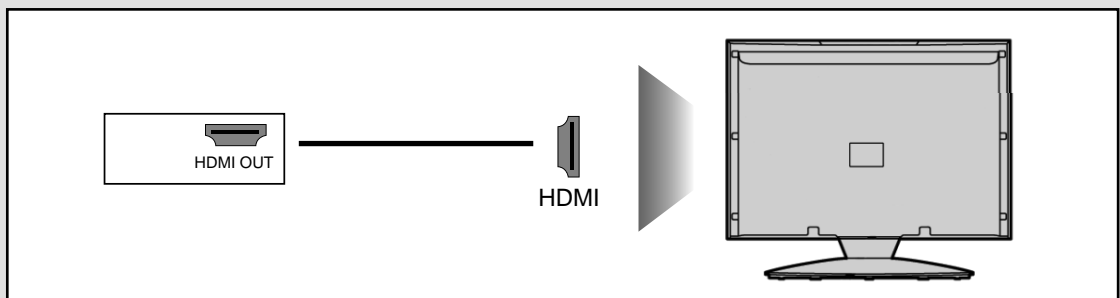
Source should be set to Video



## Connecting a High Definition (HD) Device Option 1 - via HDMI to HDMI cable

A HDMI cable can output both video and audio and enables you to enjoy digital-quality video and audio with minimal loss of quality.

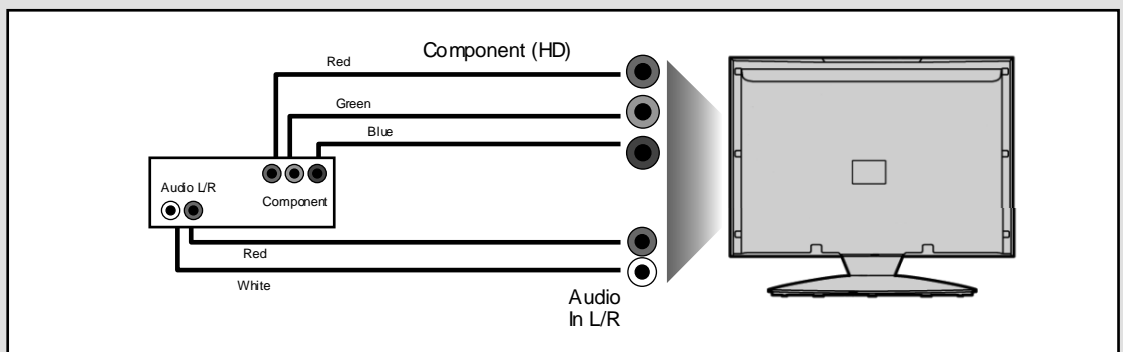
TVs Input/Source should be set to HDMI.



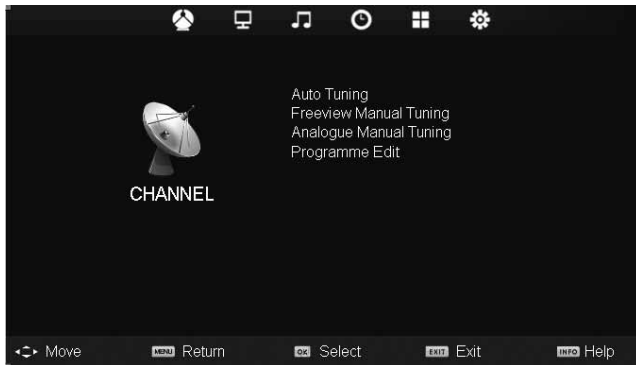
## Connecting a High Definition (HD) Device Option 2 - via Component cable

If you are supplied with a cable from the device which has RED, GREEN, BLUE, RED & WHITE connectors you must connect via Component (for picture) and by phono cable (for sound).

TV Source should be set to Component.



# Channel Menu



## Auto Tuning

Allows you to retune the television for all digital channels, digital radio stations and analogue channels.

## Freeview Manual Tuning

Allows you to manually tune your digital signal

## Analogue Manual Tuning

Allows you to manually tune your analogue signal

## Programme Edit

Allows you to delete, skip and add favourite channels.



To access this menu, press [MENU] button on the remote control. To enter a menu press [OK]

If you wish to make changes to any of the default settings, use the scroll ▲▼▶◀ buttons. To confirm any settings press [OK] button.

To exit this menu at anytime, press [EXIT] button.

Tip: If you do not press any buttons for 10 seconds, the menu will automatically exit. You can change the length of time before the menu exits automatically - see 'Menu Duration' section.



# Picture Menu



To access this menu, press [MENU] button on the remote control. To enter a menu press [OK]

If you wish to make changes to any of the default settings, use the scroll ▲▼▶◀ buttons. To confirm any settings press [OK] button.

To exit this menu at anytime, press [EXIT] button.

## Picture Mode

- Standard - Default settings
- Dynamic - Recommended settings for fast moving pictures
- Mild - Set to be lighter in colour and less bright
- Personal - Lets you manually alter all the settings
- Ecohome - Power saving mode which reduces the energy used by up to 25% (by reducing the power to the LED/LCD panel).in Ecohome mode, the TV will switch itself to Standby mode after 4-5 hours in the event that the TV buttons or remote control buttons are not pressed (see the time menu to de-activate this function).

## Contrast

Switch the balance between black and white

## Brightness

Increase or decrease the brightness of the picture

## Colour

Increases the colour from black and white

## Tint

Lets you increase or decrease the level of tint within the picture

## Sharpness

Increase or decrease the sharpness of the picture

## Colour Temperature

- Normal - Default settings
- Warm - Increases red within the picture
- Cool - Increases blue within the picture

## Noise Reduction

- Off - Turns noise reduction off
- Low - Minor system adjustment
- Middle - Medium system adjustments
- High - Maximum system adjustments
- Default - Default settings

# Sound Menu



## Sound Mode

- Standard - Default settings
- Music - Emphasises music over voices
- Movie - Provides live and full sound for movies
- Personal - Selects your personal sound settings
- Sports - Emphasises sound for sports

## Treble

To adjust the amount of high frequency within the sound

## Bass

To adjust the amount of low frequency within the sound

## Balance

To switch the sound between the left and right speakers

## Auto Volume Level (AVL)

When 'on' is selected, the volume will stay at a constant level regardless of input/source

## Surround Sound

- Off - Off
- SRS TruSurround HD - SRS TruSurround HD™ creates an immersive, feature-rich surround sound experience from two speakers, complete with rich bass, high frequency detail and clear dialog.

## Digital Output

- Off - Off
- Auto - Selects the best settings automatically
- PCM - Select this option if you are connecting to a Stereo Hi-fi via coax cable (Pulse-code modulation (PCM) is a digital representation of an analogue signal)

## AD Volume

This allows the user to increase and decrease the AD (Audio Description) volume level.

(Audio Description is a service available on certain programmes. It provides a description of what is happening during the selected programme for a person who is visually impaired)

**Tip:** Treble and bass levels can only be adjusted when the sound mode 'Personal' is selected.



# Time Menu



## **Clock**

Shows the date and time

## **Off Time**

Allows you to set a specific time for your TV to turn off

## **On Time**

Allows you to set a specific time for your TV to turn on, the channel it will then display, the source it will be on and also the volume. This function can then be toggled to repeat every day or a certain day.

## **Sleep Timer**

Lets you set the sleep timer so the television automatically switches off after a set amount of time.  
Off -> 10min -> 20min -> 30min -> 60min -> 90min -> 120min -> 180min -> 240min

## **Auto standby**

Switches the TV to standby when not receiving a signal. Toggle the Function on and off.

To access this menu, press [MENU] button on the remote control. To enter a menu press [OK]

If you wish to make changes to any of the default settings, use the scroll ▲▼▶◀ buttons. To confirm any settings press [OK] button.

To exit this menu at anytime, press [EXIT] button.

# Feature



To access this menu, press [MENU] button on the remote control. To enter a menu press [OK]

If you wish to make changes to any of the default settings, use the scroll ▲▼▶◀ buttons. To confirm any settings press [OK] button.

To exit this menu at anytime, press [EXIT] button.

## Schedule List

Lists your programme reminders

## PVR File System

Checks the file system of the connected USB device and displays the information about the check results.

## CI Information

Pay per view services require a “smartcard” to be inserted into the TV.

If you subscribe to a pay per view service the provider will issue you with a ‘CAM’ and a “smartcard”.

The CAM can then be inserted into the COMMON INTERFACE PORT (CI Card In).

## System Lock

Allows you to lock or unlock the menu. You will be asked to enter a 4 digit password use the ◀ button to quit the password input. Use the ▶ button to clear. Default password is 0000

## Hearing Impaired

If signal provides support for the hearing impaired, the subtitles can be displayed by pressing the “Subtitle”. If you set a Hearing Impaired on and switch to a channel with support for hearing impaired subtitles will be activated automatically.

## TT Language

Encoding settings for the proper display of teletext characters.

# Setup



## Menu language

Allows you to change the language of the menu

## Aspect Ratio

Within the UK the picture format varies depending on the channel/broadcast. There are a number of different options to best meet your needs

- **Auto** - Automatically displays the best picture format. So the picture is in the correct position. May have black lines At the top/bottom and/or sides.
- **Original** - Will display the picture from the broadcaster without any change
- **4:3** - Displays the 4:3 picture in its original size. Side bars are shown to fill the 16:9 screen
- **16:9** - Fills the screen with a regular 16:9 signal and 4:3 will stretch to fill the screen
- **14:9** - Displays the 14:9 picture in the correct proportion. As a result side bars are shown on the screen
- **Zoom** - The picture is the correct proportion but zoomed in to fill the screen

## Blue Screen

Changes the background when there is no input between clear and a blue background (Only available on some sources)

## Menu Duration

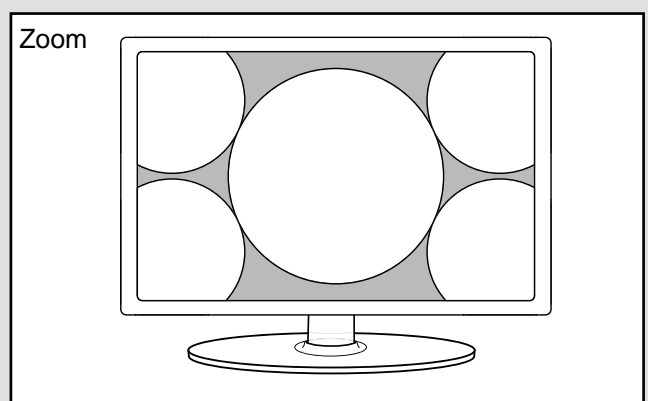
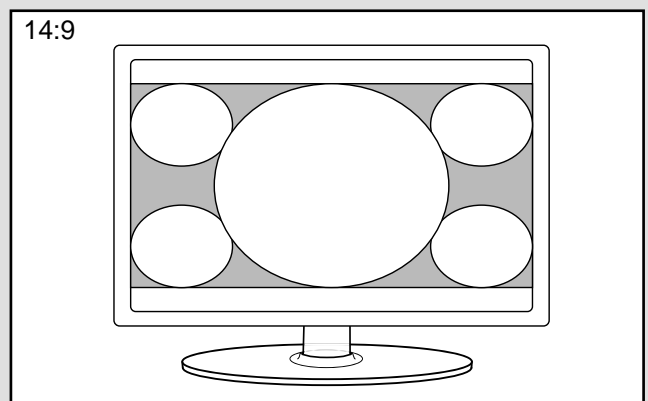
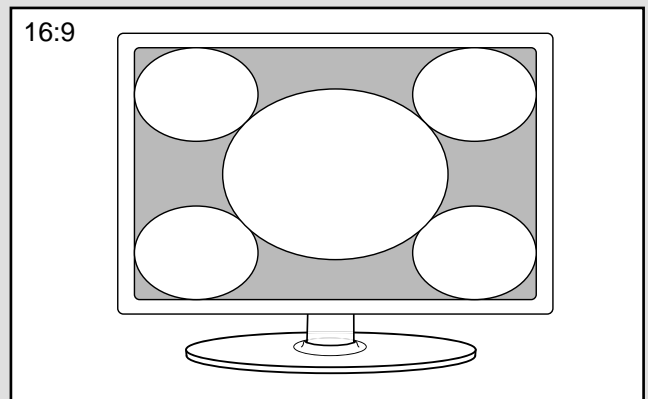
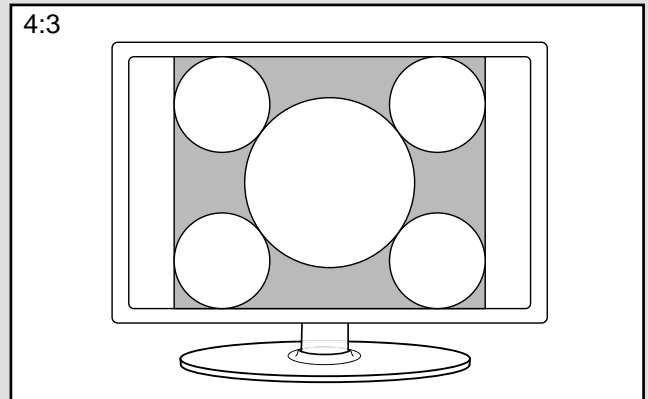
Lets you adjust the amount of time the On Screen Menu stays on the screen before disappearing

## Reset to default

- **Reset Menu System** - This resets the menus to factory settings.
- **Reset TV Channels** - This clears all the TV channels from the television.

## Software Update (USB)

From time to time we may release new firmware to improve the operation of the television (available to download). This menu lets you install the new software/firmware onto the television. Further details of how to do this will be issued with the firmware. Contact the helpline or refer to the 'product support' section of the website.



# 3D Settings

**For the best 3D picture effect, watch your TV from vertical angle +/- 10°.**

## 3D Type

When connecting a 3D product sometimes the picture maybe displayed incorrectly; choose from the following settings to correct this. You can toggle these settings by pressing the '3D' button on your remote (see page 11).

3D Off	Default settings
Side by Side	<p>3D format is commonly used in 3D broadcasting, works by halving the horizontal resolution of videos to store left and right eye images in each frame. It effectively displays up to 960 x 1080 pixel pictures to each eye, enabling TV stations to telecast 3D content at a much lower bandwidth compared with 3D Blu-ray discs. Typical supported resolutions are limited to 720p and 1080i for 3D TV programs.</p> <p>Users will need to manually select the correct 3D format to properly display side-by-side 3D content on a 3D TV.</p>
Top Bottom	<p>3D format is alternative for 3D broadcast, which is pretty similar to side-by-side 3D except that it halves the vertical resolution instead. Available primarily up to 720p resolution, top-and-bottom 3D offers 1280 pixels horizontally. The higher pixel count is generally considered more suitable for displaying panning motion insports programs.</p>
Frame Packing	<p>As its name suggests, this format stacks the left and right eye images in each frame to retain the content's original resolution for the best 3D pictures. Most, if not all, 1080p 3D Blu-ray movie discs and 720p PS3 3D games are produced utilizing this technique. Another key differentiator is that all 3D TVs should be able to automatically detect frame-packing 3D signals and correctly display the content without user intervention.</p>
Line by Line	<p>The picture signals for left and right eyes are interleaved in alternate lines. The left clip's resolution is halved then placed in the odd lines of the video stream. Correspondingly, the right clip's resolution is halved then placed in the even lines of the video stream. When combined the video stream totals 1920x1080.</p>

## Exchange 3D L/R

Change picture sequence for different viewing

## 2D to 3D

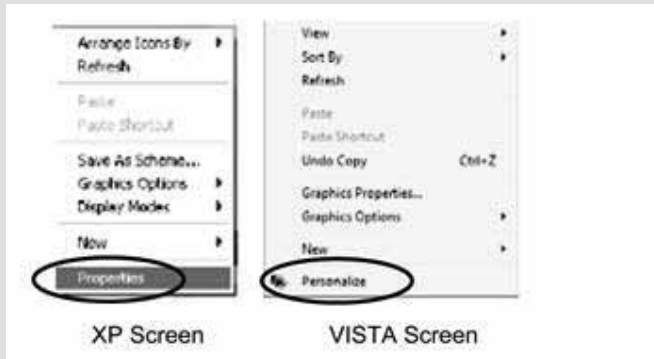
Changes the picture from regular 2 dimensions to 3 (3D). Please note as content is being changed by the TV the effects are limited

# Using The Television As A Computer Monitor

## How to set up for Windows XP & Windows Vista (connecting via VGA cable to the TV)

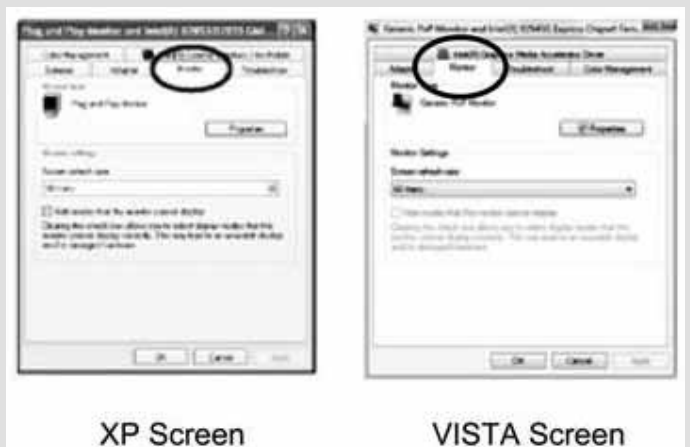
**IMPORTANT** – Before connecting the computer to the television you must ensure the computer settings are correct for the television. You **MUST** do this using your old monitor.

- 1) Switch on your computer
- 2) When finished booting up right click your mouse anywhere on the screen
- 3) Left click your mouse on Properties/Personalise



- 4) Left click your mouse on Setting/Display Settings. Ensure the screen resolution is set to what is shown in the technical specifications section toward the rear of this user guide. To correct the resolution to that of the television move the slider.

- 5) Left click your mouse on Advance/Advanced Settings and left click on Monitor

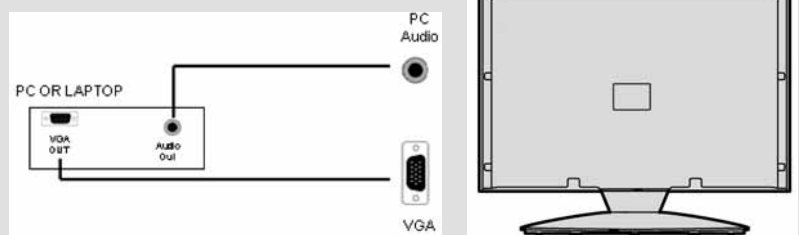


- 6) Left click on the drop down for Screen refresh rate and select 60 Hertz, if you experience picture noise or 'flickering', select 50 hertz or 70 hertz.

- 7) Click on Apply, then click Yes and the settings will be saved.

- 8) Now switch off your computer and connect the television (as shown)

- 9) Switch on the TV, select the input/source to VGA/PC and re-start your PC.

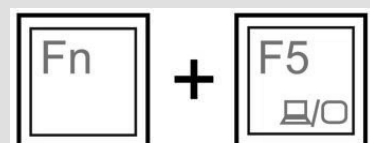


### Connecting a Laptop

In addition to the above if you are connecting a laptop to the television you will also need to activate the VGA connection on the laptop. This can vary based on the brand of laptop you have, on many brands/models, it is as per below.

- 1) Connect the laptop to the television

- 2) On the Laptop push buttons  
The screen will now switch to the television.



# PC Settings



## Auto Adjust

Lets you automatically configure the television to be used as a computer monitor

## H Offset

Changes the horizontal position of the picture

## V Offset

Changes the vertical position of the picture

## Size

Increase picture size

## Phase

To adjust delay time of phase in order to reduce the noise of picture

## Position Reset

Changes back to the original settings



To access this menu, press [MENU] button on the remote control. To enter a menu press [OK]

If you wish to make changes to any of the default settings, use the scroll ▲▼▶◀ buttons. To confirm any settings press [OK] button.

To exit this menu at anytime, press [EXIT] button.

Tip: If the computer is left in-active for a period of time, the television will switch into a 'sleep' state (the screen will power off to save power). To switch back on press the standby button.

# 7 Day TV Guide

TV Guide is available in Digital TV mode. It provides information about forthcoming programmes (where supported by the freeview channel). You can view the start and end time of all programmes and on all channels for the next 7 days and set reminders.

1) Press [TV GUIDE]. The following 7 Day TV Guide will appear.

7 Day TV GUIDE		
10 Years Younger: The Challenge		
Season 2		
Support worker Janice Cassidy's lifestyle of long working hours and a penchant for tanning has taken its toll, while the stress of bringing up two daughters and heavy smoking has affected interior designer Shere Morady. Surgeon Jan Stanek and the team set out to provide		
04 Aug 2010 10:42		
BBC1	05:00-06:00	10 Years Younger: The Challenge
BBC2	06:00-06:30	The Simpsons
ITV1	06:30-07:00	Hollyoaks
Channel 4	07:00-08:00	Channel 4 News
five	08:00-09:00	How to Look Good Naked
BBC3	09:00-10:00	Newlyweds: The One Year Itch
BBC4	10:00-11:15	Big Brother
ITV2	11:15-11:45	The Big Bang Theory
● Remind      ● Prev Day      ● Next Day		
◀ Move View      ▶ Display		

2) Navigate through the menu using ▲▼▶◀

You can now:

Set a reminder by pressing GREEN

View a previous day by pressing YELLOW

View the next day by pressing BLUE

3) Press [EXIT] to exit the 7 day TV Guide.

# USB Mode / Media Player

USB mode offers playback of various different types of content that you have saved on your USB Memory Stick.

On switching to USB source the above menu screen will appear. The content will be divided into Photo, Music, Movie and Text based on file type.

1) You can navigate through the menus using the scroll ▲▼▶◀ buttons. To confirm the item you wish to play/view press [OK] button.

2) Select the drive you require.  
(If your drive only has 1 partition you will only see 1 item).

3) You can now access the item. Press OK to view.

4) While viewing you control the item using (Fig A) or by pressing ( i ) and using ▲▼▶◀ and (OK)

1)



2)



3)



4)



Fig A





# Using Your TV With a Sky Digital Set Top Box

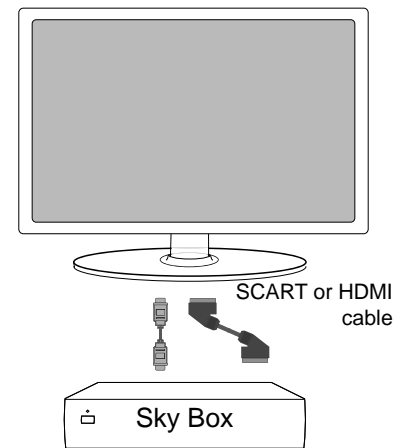
## Option 1) Connecting your TV to your Sky box (when both the TV and Sky Box are located in the same room)

Depending on your Sky Box & TV model, connect either by SCART or HDMI cables (available separately)

If connecting by SCART, select the 'Input source' on the TV as SCART.

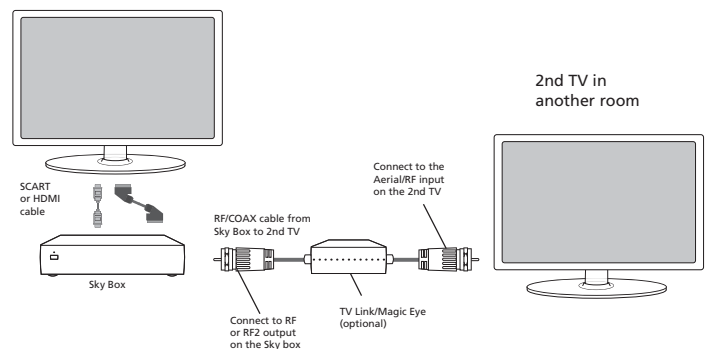
If connecting by HDMI, select the 'Input source' on the TV as HDMI (if the TV has more than 1 HDMI port, ensure you select the input source to match the HDMI numbered port on the rear of the TV)

If you wish to use your Sky remote to operate the TV's functions, you will need a Sky remote control (Revision 9 or later) and you will need to programme a 4 digit code into it. See bottom of this page.



## Option 2) Connecting your TV to your Sky box (when your Sky box is located in a different room to the TV)

Please note, if you are adding a 'Magic Eye/TV Link' to your system so that you can use your Sky remote control to change the Sky channel in the room where the 2nd TV is located, please refer to the instructions included with the TV link/magic eye in order to ensure the RF or RF2 output on your Sky box is powered on. (The red LED light on the TV link/magic eye will light up if the RF / RF2 output is correctly set up) If you do not have the instructions that came with the TV link/magic eye, instructions on how to do it can be found on our web site.



- 1) To tune the TV to the Sky box, on the 2nd TV, select the 'Analogue' input source.
- 2) Select the channel that you wish to store the Sky box/channel on. (If you do not use channels 1-5 because you no longer have analogue terrestrial channels after digital switchover, you may choose to select channel 1 to store the Sky box/channel, if you still have and use analogue channels 1-5, you may for example decide that channel 6 is the best option for you)
- 3) Press the corresponding number on the remote control to select the desired analogue channel chosen as per point 2 above.
- 4) On the TV remote control, press Menu. Now navigate through the menus to select Manual Tuning or Analogue Manual tuning (refer to the Tuning/Channel menu section of this user guide if necessary)
- 5) Manually tune in the channel (usually, the Sky box is at a frequency between 800Mhz and 850Mhz) once the Sky box/channel is found, press 'OK' to store it.

If you wish to use your Sky remote to operate the TV's functions, you will need a Sky remote control (**Revision 9 or later**) and you will need to programme a 4 digit code into it. **Please see below.**

**Using a Sky Remote or a Universal Remote to operate your TV - Sky Remote Control,** If you wish to use your Sky remote to operate the basic functions of your TV, you need to programme a 4 digit code into it. Please note. you will need the latest Sky Revision 9 remote control as this is the only version that includes the latest software/firmware necessary to operate this model of TV. All codes can be found on our website. If you wish to upgrade/replace your existing Sky remote control to the latest version, you can do so on our web site.

**Universal Remote Control,** If you wish to use a Universal remote control to operate your TV, please refer to the web site for a full list of codes. (Please note we only have codes for One for All branded remote controls, if you have an alternative brand of Universal remote, please refer to the manufacturer for the code.)

# Frequently Asked Questions

<b>General</b>	I would like to have louder sound by connecting additional speakers	<p>Subject to the TV model and connections, it is possible to connect the TV to an external amplifier or surround sound (subject to connections/inputs on the device) as follows:-</p> <p><b>1)</b> Connect a COAX cable* from the TV's COAX output to your amplifier/surround systems COAX input</p> <p><b>2)</b> Connect a 3.5mm jack to L/R phono cable* from the TV's headphone socket (where fitted) to your amplifier/surround sound L/R input. Please note sound to the TV's speakers will be disabled.</p> <p><b>3)</b> On selected models, it maybe possible to connect a SCART input/output* switch with an additional L/R Phono cable* to the TV's SCART socket and to the L/R Phono Input of your amplifier/surround sound. Please note due to copyright laws it is not possible to output video/sound from the TV on certain sources, i.e. HDMI, DVD etc.</p> <p>*cables and switches mentioned are available to purchase separately from your retailer.</p>
<b>General</b>	Why are some options in the menu unavailable and greyed out	Some options are only available in certain sources, i.e. HDMI, PC/VGA. They are unavailable in the other sources where they have no affect.
<b>General</b>	Can I stop my TV turning off after 4hrs?	<p>Yes</p> <p><b>1)</b> In the picture settings menu, de-select Eco-home</p> <p><b>2)</b> In the time settings menu, scroll down to Auto standby and select OFF</p>
<b>TV</b>	I have tuned in Digital TV but I am not receiving any or all of the channels and/or the channels I receive are breaking up	<p><b>1)</b> Check you are in an area that can receive Freeview. Visit <a href="http://www.freeview.co.uk">www.freeview.co.uk</a></p> <p><b>2)</b> Check you are using an aerial that is able to receive a good digital signal. In most cases, you will need an outdoor digital hi-gain/wideband aerial. In areas that have excellent Freeview coverage, you may be able to use a loft type aerial but it is highly likely that you will also need to connect a booster between the back of the TV and the TV aerial wall socket. Unfortunately, to receive a good enough digital signal, it is not possible to use a portable/indoor type aerial. This may change once the analogue signal is switched off in 2012 and the Digital signal strength is increased.</p>
<b>TV</b>	I have re-tuned my television but when I switch it off it is not storing the channels	Complete a first time installation, please refer to the set-up menu section of the manual of how to do this
<b>VCR/DVD Recorder</b>	I have connected the TV to my VCR or DVD Recorder via SCART but it is not recording	In addition to connecting via SCART, you should connect the aerial cable from the wall socket to your VCR/DVD Recorder and another aerial cable from the VCR/DVD Recorder to the TV

# Frequently Asked Questions

<b>Game Consoles</b>	I have connected my PS3 to the TV via HDMI, but I am not receiving any pictures or sound on my TV	<b>1) Ensure the TV's source is on HDMI</b> <b>2) Check your settings on your PS3 are as per the PS3 instruction manual</b>
<b>Game Consoles</b>	I have connected my Xbox 360 to the TV via Component Cables (Red, Green & Blue) but I am not receiving any sound	Component cables only provide HD Pictures. For the sound you will need to connect the Red & White audio cables on the Xbox to the Red & White phono inputs on the rear of the TV. Please refer to the 'Connections' pages.
<b>USB Mode</b>	I have inserted a USB Memory Key, but the TV does not recognise it	Ensure the USB Memory Key is formatted to type FAT32.
<b>USB Mode</b>	Using a USB portable hard drive	If you wish to use a portable hard drive larger than 32GB, please note that it must be formatted to the FAT32 file system in order to operate on this TV. Windows XP/Vista computers are only capable of formatting up to 32GB, therefore, you will need a software programme/utility to format larger hard drives. Please refer to the web site for more information.
<b>System Lock</b>	I have changed the password on the television and now forgotten it	There is a master password of 4711, to gain access to the TV menu and reset the normal password
<b>3D mode</b>	The picture is not displaying correctly	Press the 3D button to toggle through the different 3D picture formats.
<b>3D mode</b>	I have downloaded a 3D movie but it will not play via USB	3D mode is not supported via USB.

**Note:**

Supplier may change TV software and on screen graphics without warning

# Technical Specification

<b>Model</b>	32/191F3D
<b>Screen size (diagonal)</b>	32"/81cm
<b>Resolution</b>	1920 x 1080
<b>PC RGB</b>	Yes
<b>RF</b>	75 ohm Antenna / PAL-SECAM
<b>Video Inputs</b>	3 x HDMI, 1 x VGA/PC, 1 x SCART, 1 x USB, 1 x Composite/Video, 1 x Component/YPbPr
<b>Sound Inputs</b>	1 x shared audio for Composite/Video & Component/YPbPr, 1 x 3.5mm jack for PC audio input
<b>Sound Outputs</b>	1 x Coax Audio output , 1 x 3.5mm headphone jack
<b>USB Port</b>	1
<b>Sound power, watts (RMS)</b>	2 x 9W
<b>Dimensions including stand (mm)</b>	755W x 515H x 180D
<b>Net weight</b>	10.8 kgs
<b>Energy Consumption Info</b>	
<b>Voltage and power consumption</b>	110-240v 50 / 60Hz 40 / 60 / 80W (Ecohome / Standard / Max) EEI - A (Energy Rating) (in standby less than 0.5w)

# Index

3D Settings	22	Language	21
Attaching the stand	9	Manual Search	16
Aspect Ratio	21	Noise Reduction	17
Auto Configuration of screen (PC)	23	Phase (PC)	24
Auto Tuning	16	Picture Mode	17
Auto Volume Level	18	Remote control	13
Balance	18	Reset to default	21
Bass	18	Sharpness	17
Blue Screen	21	Sleep Timer	20
Brightness	17	Sound Mode	18
Clock	19	Source Menu	12
Colour	17	System Lock	20
Colour Temperature	17	Technical Specifications	30
Common Interface	20	Treble	18
Connections	14-15	TV buttons	12
Contrast	17	TV Guide	25
Detaching the base/stand	10	USB Mode / Media Player	26
Digital Output	18	Using the television as a computer monitor	23
First Time Installation	11	Using your TV with a Sky digital set top box	27
Frequently Asked Questions	28-29	Vertical Position (PC)	24
Getting Started	11	Wall mounting	10
Horizontal Position (PC)	24	What is included in the box	8
Important installation instructions	10		

