

USER MANUAL

TABLE OF CONTENTS

INSTALLATION	1
For Your Safety	3
IMPORTANT SAFETY INSTRUCTIONS	4
PREPARATION	6
OPERATING INSTRUCTIONS	7
Use of the remote control	8
Teletext	9
Menus	10
Main menu	10
CONNECT PERIPHERAL EQUIPMENT	18
Front Panel Control Knobs	18
Preparation	18
AV sockets	19
Headphone socket	20
PC IN socket	21
Tips	22
BEFORE CALLING SERVICE	23
Glossary	24

Thank you very much for choosing the LCD TV.

We recommend that you take a few minutes to read carefully through this manual before installing and switching on the TV. Please keep this manual in a safe place for your future reference.

Compliance Information

CE Conformity for European Countries




The device complies with the requirements of the EEC directive 89/336/EEC as amended by 92/31/EEC and 93/68/EEC Art.5 with regard to "Electromagnetic compatibility", and 73/23/EEC as amended by 93/68/EEC Art.13 with regard to "Safety."

Following information is only for EU-member states:

The mark shown to the right is in compliance with the Waste Electrical and Electronic Equipment Directive 2002/96/EC (WEEE).



The mark indicates the requirement NOT to dispose the equipment as unsorted municipal waste, but use the return and collection systems according to local law.

SRS WOW, SRS and  are registered trademarks of SRS Labs, Inc. This product is designed using SRS technology with permission from SRS Labs, Inc.



Declaration of RoHS Compliance

This product has been designed and manufactured in compliance with Directive 2002/95/EC of the European Parliament and the Council on restriction of the use of certain hazardous substances in electrical and electronic equipment (RoHS Directive) and is deemed to comply with the maximum concentration values issued by the European Technical Adaptation Committee (TAC) as shown below:

Substance	Proposed Maximum Concentration	Actual Concentration
Lead (Pb)	0.1%	< 0.1%
Mercury (Hg)	0.1%	< 0.1%
Cadmium (Cd)	0.01%	< 0.01%
Hexavalent Chromium (Cr6+)	0.1%	< 0.1%
Polybrominated biphenyls (PBB)	0.1%	< 0.1%
Polybrominated diphenyl ethers (PBDE)	0.1%	< 0.1%

Certain components of products as stated above are exempted under the Annex of the RoHS Directives as noted below:

Examples of exempted components are:

1. Mercury in compact fluorescent lamps not exceeding 5 mg per lamp and in other lamps not specifically mentioned in the Annex of RoHS Directive.
2. Lead in glass of cathode ray tubes, electronic components, fluorescent tubes, and electronic ceramic parts (e.g. piezoelectronic devices).
3. Lead in high temperature type solders (i.e. lead-based alloys containing 85% by weight or more lead).
4. Lead as an alloying element in steel containing up to 0.35% lead by weight, aluminium containing up to 0.4% lead by weight and as a copper alloy containing up to 4% lead by weight.

FOR YOUR SAFETY

Before operating the TV please read this manual thoroughly. This manual should be retained for future reference.

NOTICE

The changes or modifications not expressly approved by the party responsible for compliance could void the user's authority to operate the equipment.

Shielded interface cables and AC power cord, if any, must be used in order to comply with the emission limits.

The manufacturer is not responsible for any radio or TV interference caused by unauthorized modification to this equipment. It is the responsibilities of the user to correct such interference.

WARNING:

To prevent fire or shock hazard, do not expose the TV to rain or moisture. Dangerously high voltages are present inside the TV. Do not open the cabinet. Refer servicing to qualified personnel only.



Disposal of Waste Equipment by Users in Private Household in the European Union.

This symbol on the product or on its packaging indicates that this product must not be disposed of with your other household waste. Instead, it is your responsibility to dispose of your waste equipment by handing it over to a designated collection point for the recycling of waste electrical and electronic equipment. The separate collection and recycling of your

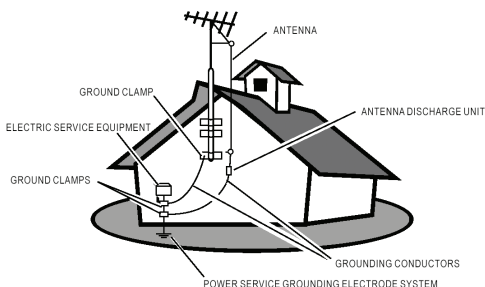
waste equipment at the time of disposal will help to conserve natural resources and ensure that it is recycled in a manner that protects human health and the environment. For more information about where you can drop off your waste equipment for recycling, please contact your local city office, your household waste disposal service or the shop where you purchased the product.

IMPORTANT SAFETY INSTRUCTIONS

Read before operating equipment

1. Read these instructions.
2. Keep these instructions.
3. Heed all warnings.
4. Follow all instructions.
5. Do not use this apparatus near water.
6. Clean only with a dry cloth.
7. Do not block any of the ventilation openings. Install in accordance with the manufacturers instructions.
8. Do not install near any heat sources such as radiators, heat registers, stoves, or other apparatus (including amplifiers) that produce heat.
9. Do not defeat the safety purpose of the polarized or grounding type plug. When the provided plug does not fit into your outlet, consult an electrician for replacement of the obsolete outlet.
10. Protect the power cord from being walked on or pinched particularly at plugs, convenience receptacles, and the point where they exit from the apparatus.
11. Only use attachments/accessories specified by the manufacturer.
12. Use only with a cart, stand, tripod, bracket, or table specified by the manufacturer, or sold with the apparatus. When a cart is used, use caution when moving the cart/apparatus combination to avoid injury from tip-over.
13. The TV should be operated only from the type of power source indicated on the label. If you are not sure of the type of power supplied to your home, consult your dealer or local power company.
14. Unplug this apparatus during lightning storms or when unused for long periods of time.
15. Refer all servicing to qualified service personnel. Servicing is required when the apparatus has been damaged in any way, such as power-supply cord or plug is damaged, liquid has been spilled or objects have fallen into apparatus, the apparatus has been exposed to rain or moisture, does not operate normally, or has been dropped.
16. This product may contain lead or mercury. Disposal of these materials may be regulated due to environmental considerations. For disposal or recycling information, please contact your local authorities or the Electronic Industries Alliance: www.eiae.org
17. **Damage Requiring Service** – The appliance should be serviced by qualified service personnel when:
 - A. The power supply cord or the plug has been damaged; or
 - B. Objects have fallen, or liquid has been spilled into the appliance; or
 - C. The appliance has been exposed to rain; or
 - D. The appliance does not appear to operate normally or exhibits a marked change in performance; or
 - E. The appliance has been dropped, or the enclosure damaged.

18. **Tilt/Stability** – All televisions must comply with recommended international global safety standards for tilt and stability properties of its cabinets design.
- Do not compromise these design standards by applying excessive pull force to the front, or top, of the cabinet, which could ultimately overturn the product.
 - Also, do not endanger yourself, or children, by placing electronic equipment/toys on the top of the cabinet. Such items could unsuspectingly fall from the top of the set and cause product damage and/or personal injury.
19. **Wall or Ceiling Mounting** – The appliance should be mounted to a wall or ceiling only as recommended by the manufacturer.
20. **Power Lines** – An outdoor antenna should be located away from power lines.
21. **Outdoor Antenna Grounding** – If an outside antenna is connected to the receiver, be sure the antenna system is grounded so as to provide some protection against voltage surges and built up static charges. Section 810 of the National Electric Code, ANSI/NFPA No. 70-1984, provides information with respect to proper grounding of the mats and supporting structure grounding of the lead-in wire to an antenna-discharge unit, size of grounding connectors, location of antenna-discharge unit, connection to grounding electrodes and requirements for the grounding electrode. See Figure below.



EXAMPLE OF ANTENNA GROUNDING AS PER NATIONAL ELECTRICAL CODE

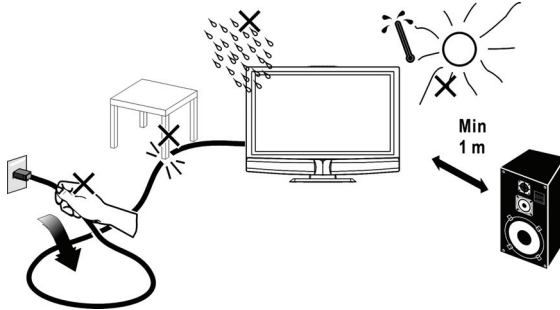
Note to the CATV system installer: This reminder is provided to call the CATV system installer’s attention to Article 820-40 of the NEC that provides guidelines for proper grounding and, in particular, specifies that the cable ground shall be connected to the grounding system of the building, as close to the point of cable entry as practical.

Please, make sure to connect the power plug to the wall outlet socket after connecting the TV to the adapter!

22. **Objects and Liquid Entry** – Care should be taken so that objects do not fall and liquids are not spilled into the enclosure through openings.

PREPARATION

1. Place the TV on a solid surface.

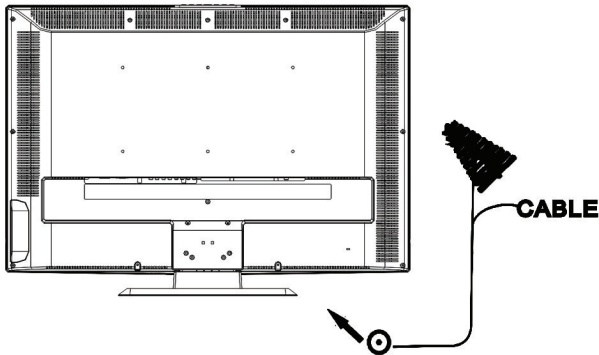


Ensure that the TV is placed in a position to allow free flow of air. Do not cover the ventilation openings on the back cover.

To prevent any unsafe situations, no naked flame sources, such as lighted candles, should be placed on or in the vicinity.

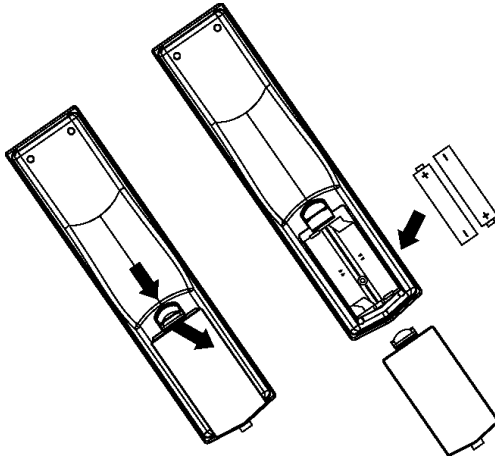
Avoid heat, direct sunlight and exposure to rain or water. The equipment shall not be exposed to dripping or splashing.

2. Insert the aerial plug firmly into the aerial socket **ANT IN 75Ω** at the back of the TV.



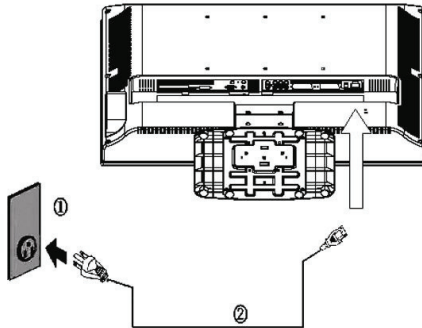
3. Remote control:

Remove the cover of the battery compartment. Insert the 2 batteries supplied (Type AA 1.5V).



4. Power:

Insert the power cord in the wall socket having an AC power supply .



5. Turn the TV on:

Press the On/standby button at the topside or on the front of the TV to turn it on, the indicator in front turns green .

If the TV is in power off, the indicator in front of the TV red.

Remote Control

POWER:

Press to turn on/off the TV. The TV is never completely powered off unless it is physically unplugged.

VIDEO

Press this key you could select AV3, AV3-S,CMP and HDMI.

SCART

Press this key you could select AV1,AV2 and AV2-S.

0~9 DIGIT BUTTONS

To select a TV channel.

SUBPAGE

Teletext Sub-page function.

Source

Select your input source: press repeatedly to select **TV, PC, AV1,AV2,AV2-S,AV3,AV3-S** or **HDMI** mode, according to where you connected your external source.

SOUND

To select Mono/ Stereo/Dual from TV RF input.

SWAP

Press this key to swap POP/PIP screen.

Zoom +,-.

Press these key to select desired picture format.
(Auto, 4/3 Format, 14/9 ZOOM, 16/9 ZOOM, 16/9 ZOOM up, Cinerama, 16/9 Format)

VOL

Press + or - (or **MENU** ◀ or ▶ button) to increase or decrease the volume.

MENU

Press this key to display main menu.



< > button

Use this button to confirm selection or adjust the desired parameter; otherwise, to increase /decrease the volume.

▲ ▼ button

When in menu mode, use this button to select to the up/down; otherwise, to change TV channels.

DISPLAY

Press this key to display:
(1) the channel number when watching a TV program.
(2) the input source when watching an AV program.

MUTE

Temporarily interrupt the sound or restore it.

PC

Display PC mode

TV

Display TV mode

PRE-CH

To display the previously selected TV channel.

PIP

Press this key to display PIP/POP screen.

SLEEP

With this key you can set a time period after which the TV should switch itself to standby. Press the key repeatedly to select the number of minutes. The counter runs from off, 15, 30,45,60, 90,120 minutes. The timer begins to count down from the number of minutes selected after the display has disappeared.

CH

Press + or - (or **MENU** ▲/▼ button) buttons to scroll through the channels.

EXIT

Press this key to exit main menu.

OK

Press this KEY to validate your selected.

Teletext function and buttons will be described on next page.

TELETEXT

Teletext is an information service organized like a magazine, which is provided by some TV stations in addition to regular television broadcasting.



TELETEXT

Press **TELETEXT**. The Teletext screen appears.
To turn off the Teletext mode, press **TELETEXT** again.

MIX

Press **MIX** to superimpose the Teletext over a normal broadcast picture. Press again to return to Teletext mode.

SIZE

Press **SIZE** repeatedly to display the upper Teletext part, the lower Teletext part and then to return to the normal.

RED / GREEN / YELLOW / BLUE

Use the **COLOURED BUTTONS** to operate the Teletext screen.

i INFO

Press **i-INFO** to show DTV information.

INDEX

Press **INDEX** to return to the main index page.

SUBTITLE

Press **SUBTITLE** to select the next page marked as a subtitle page and request it as the display page.

HOLD

Press **HOLD** to hold the Teletext page when viewing information. Press again to return to automatic page update.

REVEAL

Press **REVEAL** to display reveal hidden words e.g. quiz page answers. Press again to hide.

PAGE SELECTION

Page can be selected in two ways.

- Press **▼** or **▲** to increase or decrease the page number by one.
- By entering the page number, using digit buttons 0~9.

SUBPAGE ACCESS

When Teletext information exceeds more than one page, press **SUBPAGE** first then select the required page number using digit buttons 0~9.

MENUS

MAIN MENU

Press the **MENU** button to display the Main menu. It offers the following options : Picture adjustments, Audio adjustments, PIP/POP adjustments, TV channels search menu (only in TV mode) and PC adjustments (only in PC mode). It also allows to define your preferences in the **Setup** menu.

PICTURE ADJUSTMENTS



Display the Main menu by pressing **MENU** button.

Select the **Picture** menu using the \blacktriangle / \blacktriangledown buttons.

Press the **OK** button to confirm.

Use the \blacktriangle / \blacktriangledown buttons to select each option.

Preset: choose between **Personal**, **Vivid**, **Standard** or **Mild**.

Personal gives access to following adjustments.

Contrast, Brightness, Colour and Sharpness: adjust these settings as required using the \blacktriangleleft / \blacktriangleright buttons.

Hue: This option is only available for NTSC audio-visual sources.

Adjust the tint of the picture using the \blacktriangleleft / \blacktriangleright buttons.

Reset: Return to default settings. Press **OK** button to return to default settings.

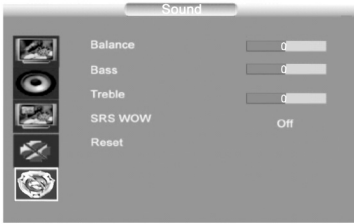
Press the **MENU** button to exit the **Picture** menu.

Note : this menu is removed automatically after a few seconds without using the remote control.



*When you adjust a menu option (Contrast for example), the menu is replaced by a sub-menu as illustrated. Press the **OK** button to return to the **Picture** menu.*

AUDIO ADJUSTMENTS



Display the Main menu by pressing **MENU** button.

Select the **Sound** menu using the **▼** button. Press the **OK** button to confirm.

Use the **▲** / **▼** buttons to select each option.

Balance : adjust the balance between left/right channels as required using the **</>** buttons.

Bass : adjust the bass level as required using the **</>** buttons.


Treble: adjust the treble level as required using the **</>** buttons.

SRS WOW : Using **</>**, activate (On) or deactivate (Off) SRS function. *SRS is an audio technology which improve the sound quality.*

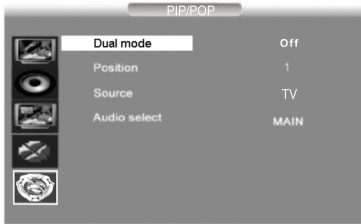
Reset: Return to default settings. Press **OK** button to return to default settings.

Press the **MENU** button to exit the **Sound** menu.

Note : this menu is removed automatically after a few seconds without using the remote control.

SRS WOW, SRS and  are registered trademarks of SRS Labs, Inc. This product is designed using SRS technology with permission from SRS Labs, Inc.

PIP/POP ADJUSTMENTS



Press the **MENU** button to display the Main menu

Select the **PIP/POP** menu using the **▼** button.

Press the **OK** button to confirm.

Use the **▲ / ▼** buttons to select each option.

Dual mode: Using **◀ / ▶** buttons activate (PIP/POP) or deactivate (Off) the PIP function.

*Following options are available if you have selected **PIP** or **POP** at the **PIP** line.*

Position : use the **◀ / ▶** buttons to change the position of the PIP frame on the screen.

Source : to select video source of the PIP/POP, use the **◀ / ▶** buttons to select video source of the picture in the PIP/POP frame (TV or TV/VIDEO).

You can insert a TV picture while you are viewing an TV/VIDEO program or insert an TV/VIDEO picture while you are viewing a TV program.

*Video source can also be selected without the menu, using **TV/VIDEO** button on the remote control.*

Audio select : to select audio source: MAIN (Main picture) or SUB (PIP/POP picture), use the **◀ / ▶** buttons to select audio source.

Press the **MENU** button to exit the **PIP/POP** menu.

Note : this menu is removed automatically after a few seconds without using the remote control.

CHANNELS SEARCH

Channels search involves selecting all the settings required to be able to search for and store all the channels you can receive.

Make sure that the television is switched on and follow all the steps in turn specified on this page.



Display the Main menu by pressing **MENU** button.

Select the **Installation** menu using the ∇ button.

Press the **OK** button to confirm.

Use the \blacktriangle / \blacktriangledown buttons to select each option.

Automatic set-up



Select **Auto. installation** using the ∇ button.

Press the **OK** button to display the **Auto. installation** menu.

Use the \blacktriangle / \blacktriangledown buttons to select each option.

Country: Select the relevant country using the \blacktriangleleft / \blacktriangleright buttons.

*This is the country you are in, or the country whose channels you want to receive if you live near its borders. If you do not find your country, select **Auto**.*

Start: Press **OK** button to start channels searching

Manual set-up



Select **Man. installation** using the ∇ button.

Press the **OK** button to display the **Man. installation** menu.

Use the \blacktriangle / \blacktriangledown buttons to select each option.

Prog. number: Allows to select the program on which you want save a new channel or a program you want to modify.

- Using the \blacktriangleleft / \blacktriangleright buttons, select the program.

Frequency : Allows to enter a specific frequency for tuning.

- Using the \blacktriangledown button, select the **Frequency** option and press the **OK** button.

Using the 0~9 digit and \blacktriangleleft / \blacktriangleright buttons, enter desire frequency and press the **OK** button.

Name : Allows to edit the channel name.

- Using the \checkmark button, select the **Name** option.
- Using the \triangleright button select the first letter field.
- By pressing the 0~9 digit repeatedly and using the following table select the first character.

Repeat the procedure for each letter field.

Press the **OK** button to confirm.

BUTTON	AVAILABLE CHARACTERS				
1	1	Space	—	•	!
2	2	A	B	C	@
3	3	D	E	F	#
4	4	G	H	I	\$
5	5	J	K	L	%
6	6	M	N	O	^
7	7	P	Q	R	&
8	8	S	T	U	V
9	9	W	X	Y	Z
0	0	*	#	()

Store prog.: Allows to **Save** a channel on a new Program N°, to **Insert** a channel on an already existing Program No (the channel previously saved on this program n° will be shifted to the upper program n°) or to **Delete** the Program No.

- Once a channel has been found and named, use the \checkmark button to select the **Store prog.** option.
- Using the $\triangleleft / \triangleright$ buttons, select **Save, Insert** or **Delete** and press the **OK** button to confirm.

Swap prog.: Allows to swap 2 programme numbers.

- Using the \wedge / \checkmark buttons select the **Prog. number** option.
- Using the $\triangleleft / \triangleright$ buttons, select the program to be moved.
- Using the \checkmark button, select the **Swap prog.** option.
- Using the \triangleright button, enter the swap function.
- Using the the 0~9 digit, enter the new programme number (3 digits).
- Press the **OK** button to confirm, the programme numbers are swapped.

Norm : Allows to change the audio norm.

- Using the \checkmark button, select the **Norm** option.
- Using the $\triangleleft / \triangleright$ buttons, select the norm.

*Note: the following norms are available to choose from: **I** for the UK and Ireland, **L/LP** for France and Luxembourg, **D/K** for Eastern Europe, the Middle East and Asia, **B/G** for Western Europe, Australia and New Zealand.*

Skip : Allows to skip a channel.

- Using the \checkmark button, select the **Skip** option.
- Using the $\triangleleft / \triangleright$ buttons, select **On**, the channel will be skip.

Skip:Allows to skip next channel when it is on,and Using the $\triangleleft / \triangleright$ buttons,select store prog:ok.

Repeat this procedure to skip other channels.

Fine tuning : If the picture is not clear, you can adjust the setting.

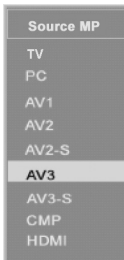
- Using the ∇ button, select the **Fine Tuning** option.
- Use the \leftarrow / \rightarrow buttons to find the good tuning point.

Man. search : Allows to launch a manual search.

- Using the ∇ button, select the **Man. search** option.
- Using the \leftarrow / \rightarrow buttons, start the search in decreasing or increasing order.
The menu is replaced by a sub-menu showing the progression of the search.
- The search will stop at the first channel found, **Man. installation** menu is displayed again (within 3 seconds).
- If you wish to memorise the channel, select Store Program option using \blacktriangle button and proceed as indicated in previous page. Otherwise, continue the search using \leftarrow / \rightarrow buttons.

INPUT SELECTION

To select TV/VIDEO source:

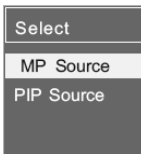


To select desire input source, press the **TV/VIDEO** button to display the selection menu.

Use the \blacktriangle / ∇ buttons to select each input sources.

Press the **OK** button to display the desire input source.

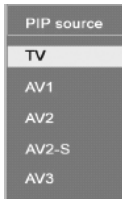
To select input source in PIP/POP mode



To select desire input source in PIP/POP mode, press the **TV/VIDEO** button to display the selection menu.

Use the \blacktriangle / ∇ buttons to select either **MP source** (to modify Main picture source) or **PIP source** (to modify PIP source).

Press the **OK** button to display the selection menu in PIP mode .



Use the \blacktriangle / ∇ buttons to select the input source.

Press the **OK** button to display the desire input source.

SETUP

This menu allows to select the language for the menus as well as the colour of the screen when there is no video input. It allows also to set an automatic shut-off time.



Display the Main menu by pressing **MENU** button.

Select the **Options** menu using the ∇ button. Press the **OK** button to confirm

Use the \blacktriangle / \blacktriangledown buttons to select each option.

Menu language : To select the language for the menus.

Menu timeout : To set an automatic shut-off time for Menu. Using \blacktriangleleft / \blacktriangleright buttons select 5 > 10 > 20 > 30 > 40 > 50 seconds.

Menu background : Select Opaque or Transparent type.

Sleep Timer : To set an automatic shut-off time. Using \blacktriangleleft / \blacktriangleright buttons select Off > 15 > 30 > 45 > 60 > 90 > 120 minutes.

Once the time is ended, TV set automatically switch on standby mode .

If you turn the TV on standby mode after setting the sleep timer, setting will be erased. Set it again.

Blue Screen : To have a blue screen when there is no video input or when the RF signal is very bad.

Using the \blacktriangleleft / \blacktriangleright buttons select **On**.

Select **Off** if you do not want the blue screen.

Teletext language: Using \blacktriangleleft / \blacktriangleright buttons, select the character set that will be used for Teletext on this channel.

The following character sets are available: **West Europe, East Europe, Cyrillic (Russia), Greek, Arabic, Persian..**

The character set determines how characters are displayed on Teletext screen.

Reset : Return to default settings. Press the **OK** button to return to default settings.

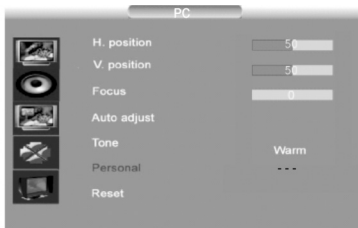
Press the **MENU** button to exit the **Options** menu.

Note : this menu is removed automatically after a few seconds without using the remote control.

PC MODE

In PC mode, main menu is different from the one in TV mode.
Please select PC as main input.

PC SETTINGS



Display the Main menu by pressing **MENU** button.

Select the **PC** menu using the **▼** button.

Press the **OK** button to confirm.

Use the **▲** / **▼** buttons to select each option.

H. position : use the **◀** / **▶** buttons to move the picture horizontally on the screen.

V. position : use the **◀** / **▶** buttons to move the picture vertically on the screen.

Focus : Adjust as required to improve the picture quality.

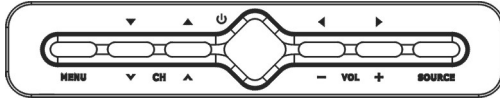
Auto adjust: this function is used to automatically adjust the VGA input. Press the **◀** / **▶** buttons to start the adjustment process.

Tone: to adjust the colour temperature at your convenience.

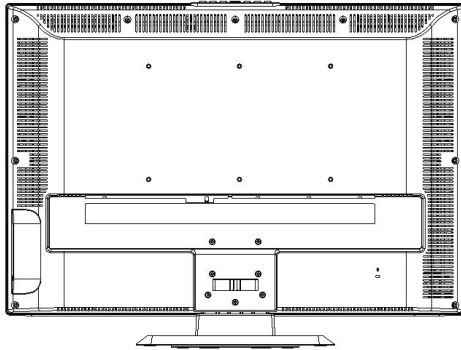
Reset : Return to default settings. Press **OK** button to return to default settings.

CONNECT PERIPHERAL EQUIPMENT

FRONT PANEL CONTROL KNOBS



- Power Key** : Press to turn on or off the TV.
- MENU Key** : Press to show the OSD menu and exit OSD menu at the TV.
- CH (▲/▼)** : Press to perform select function and channel.
- Vol (-/ +)** : Press to confirm your function selection and adjustment.
- Source Key** : Press to select your input source.



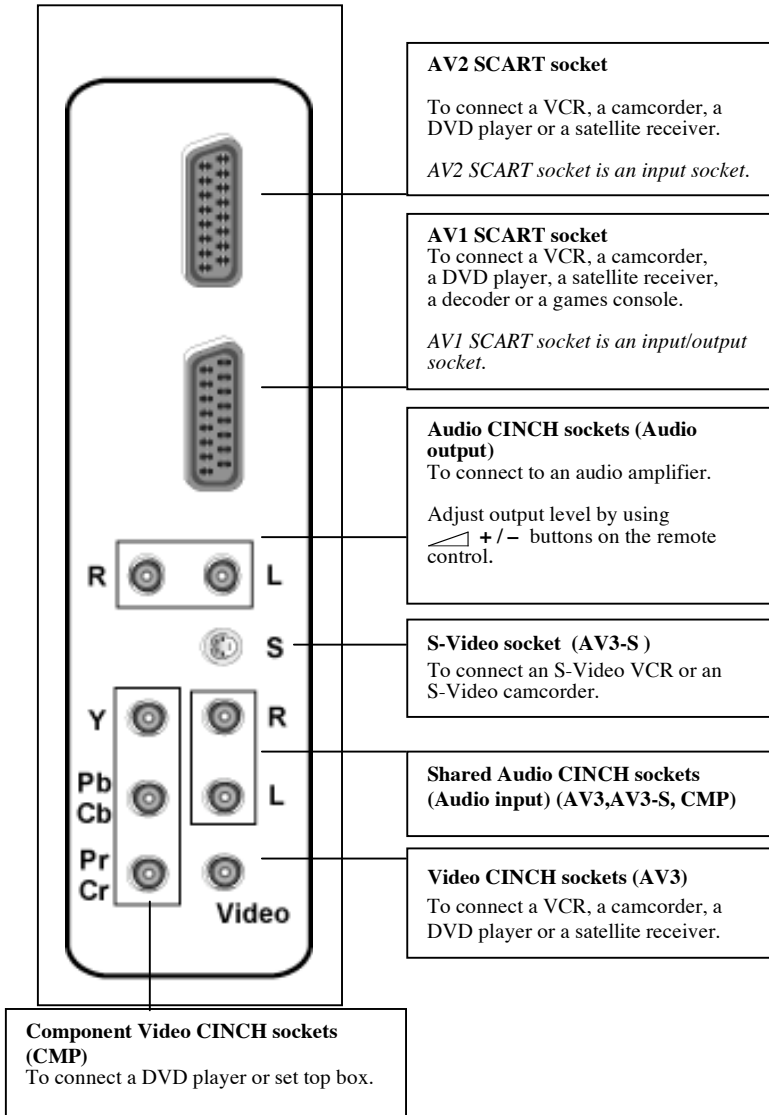
There is a wide range of video and audio equipment that can be connected to your TV. The following connection diagrams show you how to connect them.

PREPARATION

Remove the back plate at the back of the TV as shown on the illustration opposite.

Lay the LCD TV with the screen down on a table, as it will be easier to connect your peripheral equipment. Please take your precautions not to damage the screen.

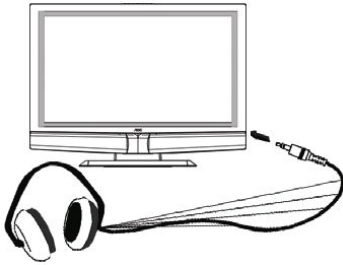
AV sockets (Located at the back of the TV set, on the leftside)




To display images from the connected appliance, select the input source by pressing the **TV/VIDEO** button on the remote control .


For some appliances, connected to the SCART socket, this selection is made automatically.

HEADPHONE SOCKET (LOCATED AT THE BACK OF THE TV SET, ON THE RIGHTSIDE)



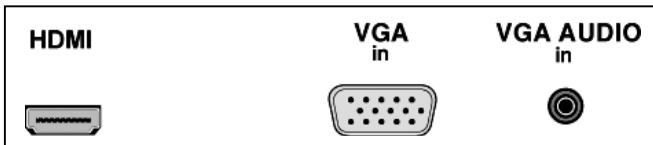
When headphones are connected, the sound of TV set is cut.

Adjust headphones volume level by using  + / - buttons on the remote control.

To switch off the sound of the headphone press the  button on the remote control.

HDMI SOCKET (High-Definition Multimedia Interface)

(LOCATED AT THE BACK OF THE TV SET, NEAR THE POWER INPUT SOCKET)



This socket allows the connection to all appliances fitted with an HDMI socket. The standard HDMI allows a digital transmission of video and audio data using only one connector.

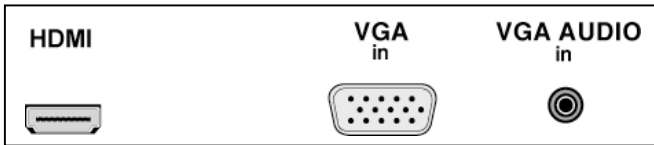
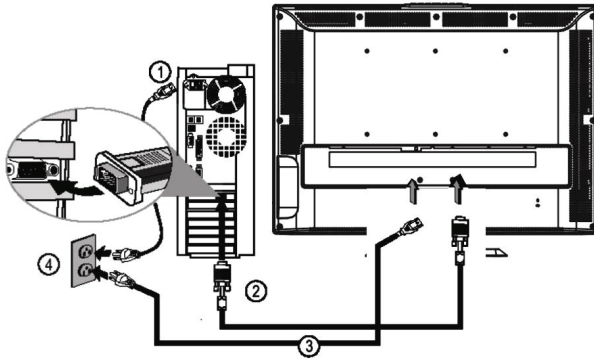
It gives you the possibility to obtain very high quality images. In this case it is necessary to use an HDMI connecting cable. Make sure the appliance output is set to be HDMI output.

To display images from the connected appliance, select the input source (**HDMI**) by pressing the **TV/VIDEO** button on the remote control.

HDMI, the HDMI logo and "High-Definition Multimedia Interface" are trademarks or registered trademarks of HDMI Licensing LLC."

PC IN SOCKET (LOCATED AT THE BACK OF THE TV SET, NEAR THE HDMI SOCKET)

Allows to connect a PC to the TV set



Connect the PC IN D-sub socket located at the back of the TV set to the output of PC equipment through a mini D-sub 15 pin cable.

Connect the stereo PC IN audio jack located at the back of the TV set (near the D-sub socket) to the audio output socket on the computer through an audio cable.

To display images from the connected appliance, select the input source (**PC**) by pressing the **TV/VIDEO** button on the remote control.

TIPS

Care of the screen

Do not rub or strike the screen with anything hard as this may scratch, mar, or damage the screen permanently.

Unplug from the mains before cleaning the screen. Dust the TV by wiping the screen and the cabinet with a soft, clean cloth. If the screen requires additional cleaning, use a clean, damp cloth. Do not use liquid cleaners or aerosol cleaners.

Mobile telephone warning

To avoid disturbances in picture and sound, malfunctioning of your TV or even damage to the TV, keep away your mobile telephone from the TV.

End of life directives

We are paying a lot of attention to produce environmentally friendly in green focal areas. Your new receiver contains materials which can be recycled and reused.

At the end of its life specialized companies can dismantle the discarded receiver to concentrate the reusable materials and to minimize the amount of materials to be disposed of.

Please ensure you dispose of your old receiver according to local regulations.

BEFORE CALLING SERVICE

Please make these simple checks before calling service. These tips may save you time and money since charges for receiver installation and adjustments of customer controls are not covered under your warranty.

Symptoms	Items to Check and Actions to follow
“ Ghost ” or double image	*This may be caused by obstruction to the antenna due to high rise buildings or hills. Using a highly directional antenna may improve the picture.
No power	*Check that the TV’s AC power cord is plugged into the mains socket. *Unplug the TV, wait for 60 seconds. Then re-insert plug into the mains socket and turn on the TV again.
No picture	*Check antenna connections at the rear of the TV to see if it is properly connected to the TV. *possible broadcast station trouble. Try another channel. *Adjust the contrast and brightness settings. *Check the Closed Captions control. Some TEXT modes could block the screen.
Good picture but no sound	*Increase the VOLUME. *Check that the TV is not muted; press the button on the remote control.
Good sound but poor color	*Adjust the contrast, color and brightness settings.
Poor picture	*Sometimes, poor picture quality occurs when having activated an S-VHS camera or camcorder connected and having connected another peripheral at the same time. In this case switch off one of the other peripherals
Snowy picture and noise	*Check the antenna connection
Horizontal dotted line	*This may be caused by electrical interference (e.g. hairdryer, nearby neon lights, etc.) *Turn off the equipment.
Television not responding to remote control	*Check whether the batteries are working. Replace if necessary *Clean the remote control sensor lens on the TV. *You can still use the buttons at the front of your TV. *Select the TV mode to be sure your remote control is in the TV mode. *Remove plug from mains for 5 seconds then replug to power on again.

GLOSSARY

Audio / Video Inputs

Located on the rear and the front of the receiver these connectors (RCA phono type plug) are used for the input of audio and video signals. Designed for use with VCRs (or other accessories) in order to receive higher picture resolution and offer sound connection options.

S-Video Input

Allows direct connection of high-resolution video sources, such as a Super VHS videocassette recorder, Laser Disc player, etc. Provides improved picture resolution, sharpness, and clarity.

Menu

An on-screen listing of feature controls shown on the TV screen that are made available for user adjustments.

Programming

The procedure of adding or deleting channel numbers into the TV's memory. In this way the TV 'remembers' only the locally available or desired channel numbers and skips over any unwanted channel numbers.

SRS

SRS audio solutions provide greater listening enjoyment for compressed Internet radio or clear speech that enhances the users experience and overall satisfaction.

RF

Radio Frequency or modulated signal design used as the carrier for television broadcasts.

Sleep Timer

Function with which you can set a time period after which the TV should turn itself off.