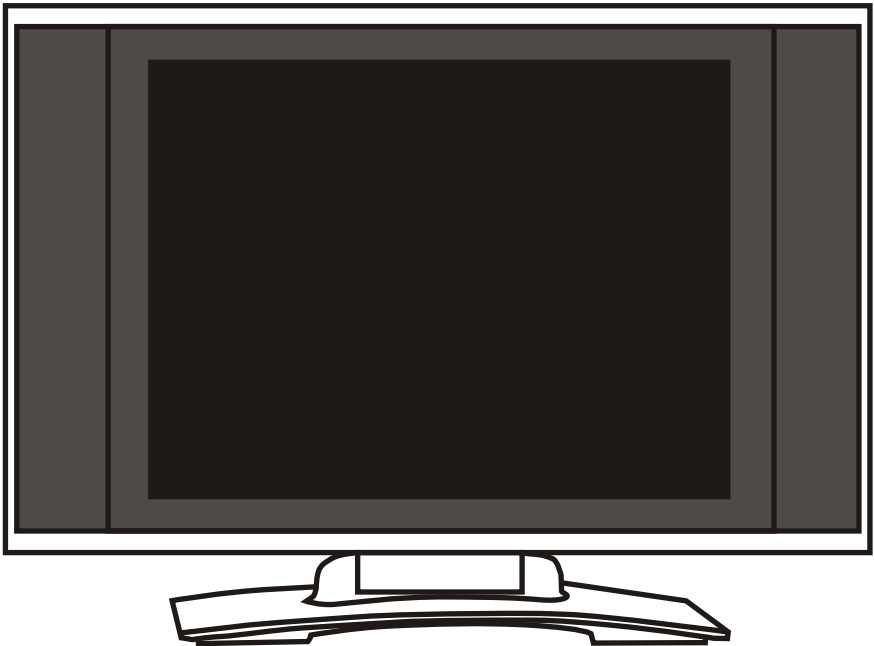


**AKURA**

**15" LCD TV**  
**AT1503LCD**



**USER'S MANUAL**



# Contents

<b>Safety instructions</b> .....	2
Electrical safety .....	2
<b>In the box</b> .....	4
<b>Connecting up</b> .....	5
Rear connection panel .....	5
<b>Getting Started</b> .....	6
Front panel controls .....	6
<b>The Remote Control</b> .....	7
Using the remote control for normal TV functions .....	7
Using the remote control for Teletext .....	8
<b>The Menus</b> .....	9
Using the menus .....	9
The Video menu .....	10
The PC menu .....	11
The Audio menu .....	12
The TV menu .....	13
The General menu .....	14
<b>Any Problems?</b> .....	15
<b>Features</b> .....	16
<b>Specifications</b> .....	16
<b>Mains Plug Wiring Information</b> .....	17

# Safety instructions

## CAUTION



The lightning flash with arrowhead symbol, within an equilateral triangle, is intended to alert the user to the presence of un-insulated “dangerous voltage” within the products enclosure that may be of sufficient magnitude to constitute a risk of electric shock to the persons.



The exclamation point within an equilateral triangle is intend to alert the user to the presence of important operating and maintenance (servicing) instructions in the literature accompanying the appliance.

### **Correct disposal of this Product**

(Waste Electrical & Electronic Equipment (WEEE))



The crossed out “Wheelie bin” is intended to show that this appliance must not be placed with ordinary household waste at the end of its useful life. To prevent possible harm to the environment or human health from uncontrolled waste disposal, please keep separate from other household waste and recycle it responsibly to promote the sustainable reuse of material resources.

Household users should contact either the retailer where you purchased the product, or their local government office for details of where and how you can take this item for environmentally safe re-cycling.

Business users should contact their supplier and check the terms and conditions of the purchase contract. This product must not be mixed with other commercial wastes for disposal

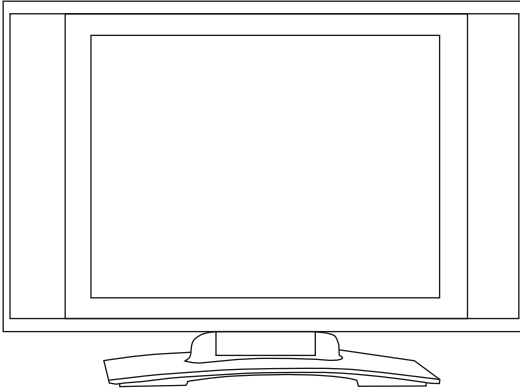
To ensure reliable and safe operation of this equipment, please read carefully all the instructions in this user guide, especially the safety information below.

## **Electrical safety**

- The TV set should only be connected to a mains supply which matches that stated on the label on the mains adaptor.
- Place the mains adaptor and any cables carefully so they cannot be tripped over or stepped on.
- Be sure to hold the plug - not the cable, when disconnecting it from the mains supply socket.
- During a thunderstorm, or when the set is not to be used for a long time, disconnect both the aerial and the mains power cable.
- Do not operate the Tv in damp or wet conditions. Do not use where there is a possibility of splashing, such as near swimming pools, bathrooms or other similar areas.

- Pull the plug out immediately, and seek professional help if:
  - the mains plug or cable is damaged
  - liquid is spilt onto the set, or if it is accidentally exposed to water or moisture
  - anything accidentally penetrates the ventilation slots
  - the set doesn't work normally.
- Never remove the cover. There are NO user-serviceable parts inside. Allow only qualified service personnel to repair this equipment.
- Remote control. Treat with care. When the batteries are exhausted, replace and do not break open or throw on a fire. When not using the controller for long periods, please remove the batteries to prevent leakage.
- To prevent overheating, Do not cover the Tv ventilation slots, do not place in a cabinet with less than 2 cm clearance at sides and above.
- Cleaning the Tv. Do not use solvents or petrol based cleaners. Use a dry soft cloth. For stubborn stick stains, use a damp cloth with dilute detergent.

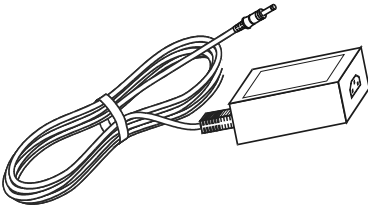
# In the box



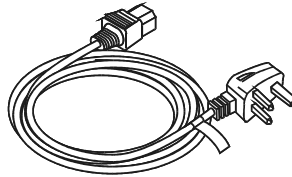
*TV set*



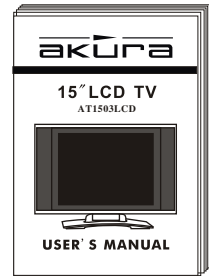
*Remote control*



*Mains adaptor*



*Mains cable*

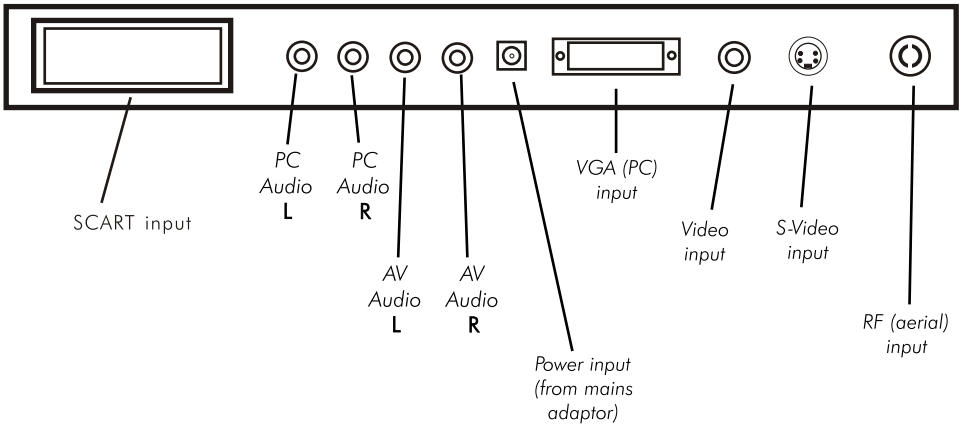
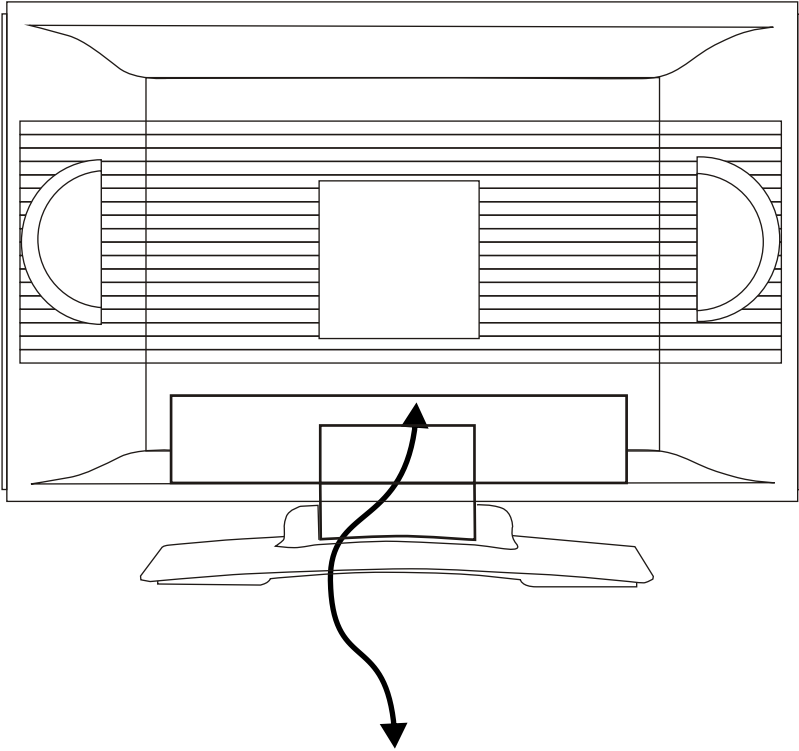


*this  
User Guide*

If any of the accessories are missing, then contact your dealer as soon as possible. Keep all the original packaging in case you need to return the set to the dealer.

# Connecting up

## Rear connection panel



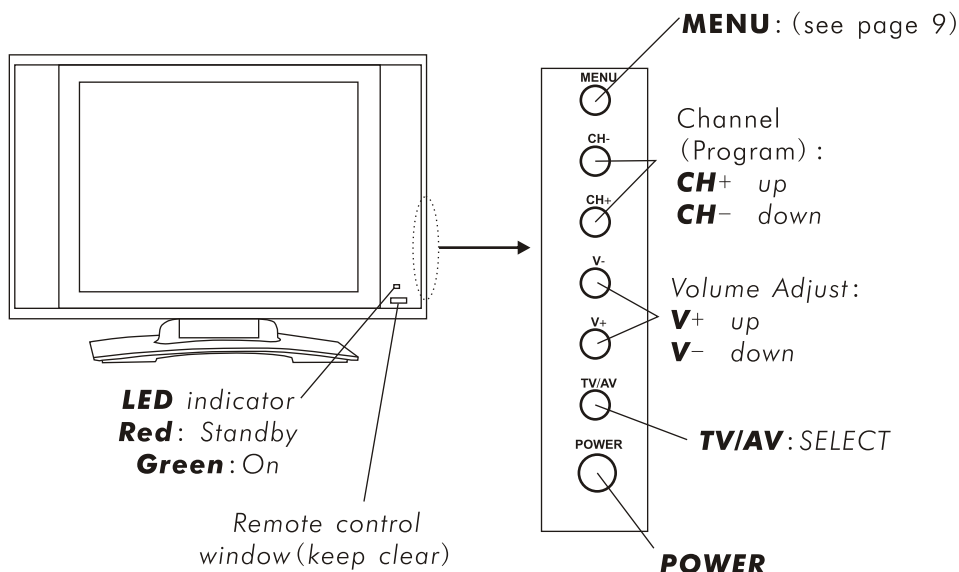
# Getting Started

- 1 Connect the aerial or input source to the appropriate input socket at the rear of the set. (see page 5).
- 2 Connect the small round plug on the power adaptor cable to the power input socket at the rear of the set.
- 3 Connect the mains cable between the power adaptor and the mains supply.
- 4 Switch the power on by pressing the **POWER** button on the front panel or the remote control -the **LED** will show green.
- 5 Use the **AV/TV** button on the front panel or the remote control to select which input source to use: TV SCART, PC-RGB, AV or S-VIDEO.

You can use the front panel controls to adjust the volume or select a channel, as shown below, or you can use the remote control (see page 7).

- 6 To switch the set off for a short time, press the **POWER** button -the set will go into Standby and the **LED** will show red. If you are not going to use the set for some time, switch the power off completely by unplugging the mains cable.

## Front panel controls

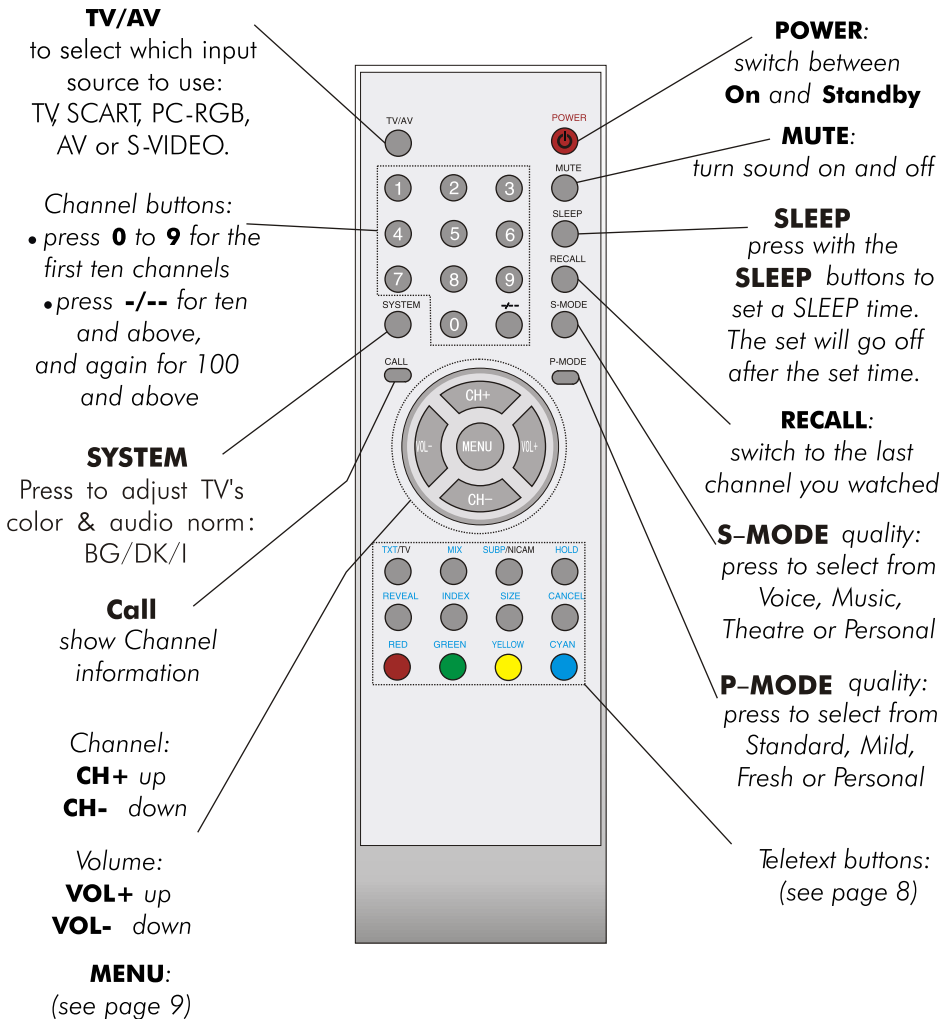




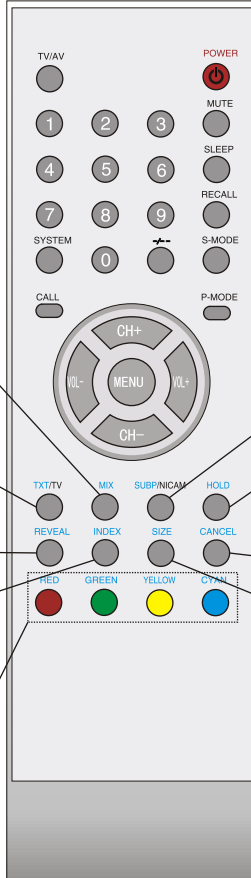
# The Remote Control

- Fit two AA batteries, making sure that they are the correct way round, as marked on the case.
- Aim the remote control at the window to the right side of the screen, and keep the window clear at all times.
- Do not press the buttons on the remote control too quickly - allow time for the set to respond.

## Using the remote control for normal TV functions



# Using the remote control for Teletext



## **MIX:**

display Teletext on top of the normal TV picture

## **TX/TV:**

switch the Teletext display ON and OFF

## **REVEAL:**

reveal any hidden text, for example - quiz answers

## **INDEX:**

go straight to page 100

**COLOUR BUTTONS:**  
short cuts - follow the coloured links in the text

## **SUBPAGE:**

for example - to go directly to subpage 4:  
• press **SUBPAGE**, then **0, 0, 0, 4**  
• press SUBPAGE again to cancel subpage mode

## **NICAM/A2:**

press to select mono or stereo  
(In TV mode)

## **HOLD:**

- press to hold the current subpage
- press again to carry on

## **CANCEL:**

switch the Teletext display OFF

## **SIZE:**

- press to see top half of page double size
- press again to see the bottom half double size
- press again for normal size

# The Menus

## Using the menus

- For all the buttons mentioned below, you can use those on the front panel, or you can use those on the remote control.

- To see the menus, press the **MENU** button. The first press will show either:

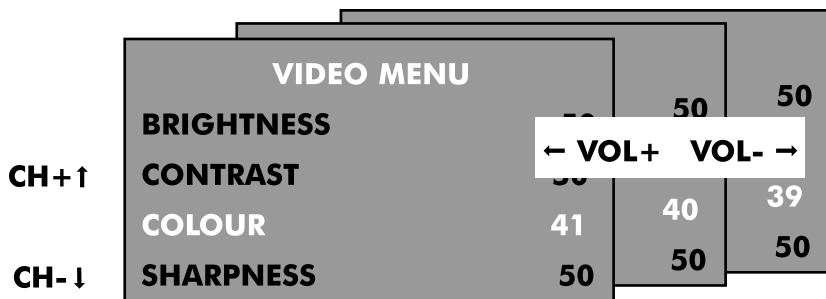
- the **VIDEO** menu, if the set is switched to TV SCART, AV or S-VIDEO
- the **PC** menu, if the set is switched to PC-RGB.

Press the **MENU** button again, to see the other menus:

- another press to see the **AUDIO** menu
- another press to see the **TV** menu (only when switched to TV)
- another press to see the **GENERAL** menu
- another press to turn the menus off.

- To select a menu item, for example **COLOUR**, press the **CH+** and **CH-** buttons to scroll up and down the list.

- When a menu item is highlighted, use the **VOL+** and **VOL-** buttons to change the setting.



- When you have changed the settings, you can exit from the menu:

- by waiting ten seconds without pressing any buttons
- by pressing the **MENU** button a few times until the menu turn off.

## The Video menu

The first press of the **MENU** button will show either:

- the **VIDEO** menu, if the set is switched to TV, SCART, AV or S-VIDEO
  - the **PC** menu, if the set is switched to PC-RGB.
- (see next page).

VIDEO MENU	
<b>BRIGHTNESS</b>	<b>50</b>
<b>CONTRAST</b>	<b>50</b>
<b>COLOUR</b>	<b>40</b>
<b>SHARPNESS</b>	<b>50</b>

### Brightness

Use the **VOL+** and **VOL-** buttons to adjust the brightness of the picture.

### Contrast

Use the **VOL+** and **VOL-** buttons to adjust the contrast of the picture.

### Colour

Use the **VOL+** and **VOL-** buttons to adjust the colour of the picture.

### Sharpness

Use the **VOL+** and **VOL-** buttons to adjust the sharpness of the picture.

## The PC menu

The first press of the **MENU** button will show either:

- the **VIDEO** menu, if the set is switched to TV, SCART, AV or S-VIDEO (see *previous page*)
- the **PC** menu, if the set is switched to PC-RGB.

PC MENU	
<b>BRIGHTNESS</b>	<b>50</b>
<b>CONTRAST</b>	<b>50</b>
<b>COLOUR SETTING</b>	<b>USER</b>
<b>AUTO CONFIG</b>	<b>→</b>
<b>H.POSITION</b>	<b>00</b>
<b>V.POSITION</b>	<b>00</b>
<b>PHASE</b>	<b>00</b>
<b>CLOCK</b>	<b>00</b>

### Brightness

Use the **VOL+** and **VOL-** buttons to adjust the brightness of the picture.

### Contrast

Use the **VOL+** and **VOL-** buttons to adjust the contrast of the picture.

### Colour setting

Use the **VOL+** and **VOL-** buttons to select from 6500K, 9300K or USER.

If you select USER, you can use the **VOL+** and **VOL-** buttons to adjust the RED, GREEN and BLUE values individually. Press **MENU** when you have finished adjusting.

### Auto configuration

Press the **VOL+** button to have the following settings configured automatically:

### Horizontal and Vertical position

Use the **VOL+** and **VOL-** buttons to adjust the position of the picture on the screen.

### Phase

Use the **VOL+** and **VOL-** buttons to adjust the phase of the ADC sampling clock relative to the HSync signal, until a stable image is obtained.

### Clock

Use the **VOL+** and **VOL-** buttons to adjust the pixel clock frequency, until the image size is maximised for the screen.

## The Audio menu

Press the **MENU** button again to see the **AUDIO** menu.

<b>AUDIO MENU</b>	
<b>VOLUME</b>	<b>20</b>
<b>BALANCE</b>	<b>50</b>
<b>AUDIO PRESET</b>	<b>PERSONAL</b>
<b>TREBLE</b>	<b>50</b>
<b>BASS</b>	<b>50</b>

### **Volume**

Use the **VOL+** and **VOL-** buttons to adjust the volume of the sound.

### **Balance**

Use the **VOL+** and **VOL-** buttons to adjust the left/right balance of the sound.

### **Audio Preset**

Use the **VOL+** and **VOL-** buttons to select from PERSONAL, VOICE, MUSIC or THEATRE.

If you select PERSONAL, you can adjust the following settings:

### **Treble and Bass**

Use the **VOL+** and **VOL-** buttons to adjust the tone of the sound.

## The TV menu

Press the **MENU** button again, to see the **TV** menu. (*only if switched to TV*)

TV MENU	
<b>CHANNEL</b>	<b>0</b>
<b>SYSTEM</b>	<b>DK</b>
<b>SKIP</b>	<b>OFF</b>
<b>AFC</b>	<b>ON</b>
<b>FINE TUNE</b>	<b>487.25MHz</b>
<b>SWAP</b>	→
<b>MANUAL SEARCH</b>	→
<b>AUTO SEARCH</b>	→

### Channel

Use the **VOL+** and **VOL-** buttons to select a channel.

### System

Use the **VOL+** and **VOL-** buttons to select from DK, BG or I TV display systems

System "I" Is used in the UK. BG is used in Western Europe, DK is used in Eastern Europe

### Skip

Use the **VOL+** and **VOL-** buttons to turn the channel skip:

ON - this channel will be skipped when changing channel using the **CH** buttons

OFF - this channel will be included when changing channel using the **CH** buttons

### Automatic Frequency Control

Use the **VOL+** and **VOL-** buttons to turn AFC ON or OFF:

### Fine Tune

Use the **VOL+** and **VOL-** buttons to fine tune the frequency if you are having problems with a weak signal on the current channel.

The AFC will turn off if you use the Fine Tune controls.

### SWAP

Press the **VOL +** button to enter the SWAP menu. Press the **CH +/-** buttons to select "**FROM**", then use the **VOL +/-** buttons to select the channel you want to move, eg "**FROM**". Now press the **CH-** button to go to the "**TO**" location. Use the **VOL +/-** buttons to select the number you wish to move to channel "**TO**". Use the **CH +/-** buttons to move to "**SWAP**" and press **V+**. The channel will now have moved and all channels below will move down one location.

### Manual Search

Press the **VOL+** button once, then again to select from DOWN or UP

Press the **MENU** button to start the Manual Station Search. When the search is finished, the first station found will be allocated to the current channel.

### Auto Search

Press the **VOL+** button once. The Automatic Station Search will start.

All received stations will be put in "Found" order, thus BBC1 will probably not be in location 1. You must use the "SWAP" function to move the stations into the correct order, eg :- BBC1, BBC2,ITV,CH4,CH5.

## The General menu

Press the **MENU** button again to see the **GENERAL** menu.

GENERAL MENU	
LANGUAGE	ENGLISH
BLUE SCREEN	ON
NOISE REDUCE	ON
INPUT SOURCE	TV
RESET	→

### Language

Use the **VOL+** and **VOL-** buttons to select from a number of European languages.

### Blue Screen

Use the **VOL+** and **VOL-** buttons to turn the blue screen:

ON - the screen will turn blue when the signal strength is very poor

OFF - the picture and sound will be noisy when the signal is very poor

*(use this if reception cannot be improved, to stop the screen from turning blue)*

### Noise Reduce

Use the **VOL+** and **VOL-** buttons to turn the noise reduction system:

ON - to reduce noise when reception is poor

OFF - to improve picture and sound quality when reception is good.

### Input Source

Use the **VOL+** and **VOL-** buttons to select which input source to use:

TV, SCART, PC-RGB, AV or S-VIDEO.

### Reset

Press the **VOL+** button to return the set to the factory default settings.

All the settings in the VIDEO, PC and AUDIO menus, and Blue Screen in the GENERAL menu will be returned to the settings shown in this User Guide.



# Trouble Shooting Guide

If you have any problems setting up the Tv. Please refer to the guide below. If you still cannot solve the problem, please contact the "Help" line, (details below).

<b>SYMPTOM</b>	<b>POSSIBLE CAUSE</b>	<b>REMEDY</b>
Dead. No LED Lit	Power problems.	Check all connections to the Tv. Ensure the Mains adaptor is plugged in and the power switched on.
No picture. LED is RED.	Set still in standby	Use the remote control or CH+/- button to turn on theTv.
No picture, Screen lit.	Tv switched to AV or PC Mode	Select TV Mode.
No picture. Screen white noise.	Not tuned in.	See page 13 to set Tuning mode.
	No signal to Tv	Check aerial connections
Poor noisy, ghosting picture	Poor aerial signal	If using an indoor aerial, you may need an out door aerial. Check the aerial connections. Retune tv, you may have tuned to signals out of your area.
Teletext breaking up	Poor aerial signal	See above.
No picture when PC selected	No connection to Tv or PC.	Check VGA lead at both ends
	Computer may be set out of range of monitor.	Set PC settings to 60Hz refresh rate as a starting point.
Noisy pictures in PC mode	PC/Monitor settings incorrect	Select PC Menu and select "AUTO". The PC and monitor will self adjust.
No Remote control functions	Low battery voltage	Replace batteries each 6 months
Intermittent Remote control	High incident light in room	Reduce light in room.
	Low battery voltage	Batteries may be low.

If you are still having difficulty please call the Technical help line. Ring 01422 203676 (Normal rates apply).

Opening hours Mon-Fri 8 am 8pm. Sat 9 am 4pm. Sun 11am 4pm "Bank holidays as Sun"

# 15" LCD TV

## Features

- High quality display
- VGA, RF, Video, S-Video, Scart inputs
- Stereo audio inputs
- Up to 200 stored channels
- Automatic or manual channel search
- Auto-shutdown to save power when no signal input

## Specifications

### TV

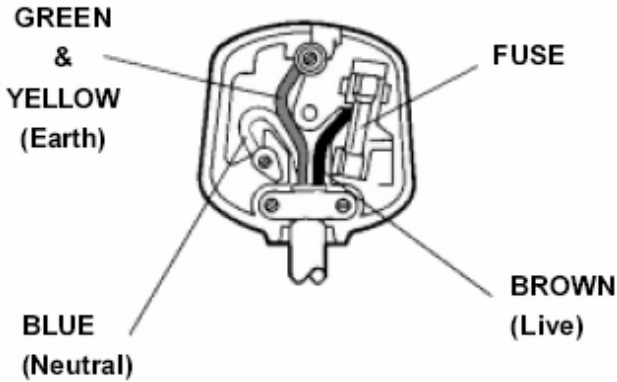
TV system	PAL/ BG/DK/I
Screen size	15"(diagonal)
Definition	1024 (RGB) x768
Response time	16ms
Aerial input	75 $\Omega$ (unbalanced)
Audio output power	2 x 3W
Mains power	12V 3.33A
Power consumption	40W

### Remote control

Type	infra-red
Control distance	8m (26 feet)
Control angle	30° (horizontal)
Batteries	2 x 1.5V size AA
Dimensions	50 x 160 x 28mm
Weight	100g

# Mains Plug Wiring Information

The wires in the main lead are coloured in accordance with the following code:



If the mains plug wiring becomes damaged you may replace the plug as above.

Do NOT cut back the insulation too far.

Place the BROWN wire to the fuse terminal or "L".

Place the BLUE wire to the Neutral terminal or "N"

Place the Green/Yellow wire to the Earth or "E" terminal.

Always tighten the terminals and cable clamp fully

A 3A fuse must be fitted.

Replace the plug cover and tighten before plugging into the supply.

If replacing a molded plug, this may have special components inside to prevent interference.

Please consult your local dealer for advice.